

Multiports M4-S4

Media Type
Hydraulic Oil, Air - Vacuum

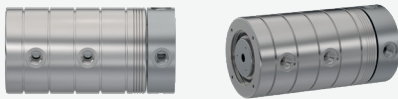
Max. Speed
250 RPM

Max. Pressure
250 BAR

Max. Temperature
80 °C

Connection Type
NPT, BSPP, BSPT

Rotor Size
2 x 1/4" - 12 x 3/4"

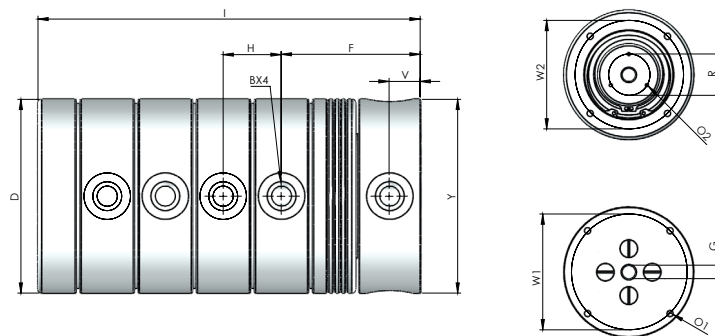


- ✓ Multi flow design
- ✓ Self supported design
- ✓ Dynamic carbon teflon sealing
- ✓ Special design sealing part for different fluids
- ✓ BSP, NPT metric threads inlet's & outlet's
- ✓ Chrom plated sealing surface
- ✓ Stainless Steel body
- ✓ Custom connections types are available

Multi-passage rotary unions.

! Do not operate without fluid.

DIMENSIONS



SIZE	MODEL NO	B	YØ	B2	DØ	F	H	I	V	GØ	W1Ø	W2Ø	RØ	O1	O2	KG
4 X 1/4"	M4-24081-200	1/4" NPT	75	1/4" NPT	75	56,20	23,40	134,45	10	7	70	61	18	M6X20	M3X10	4,60
4 X 1/4"	M4-24082-200	1/4" BSP	75	1/4" BSP	75	56,20	23,40	134,45	10	7	70	61	18	M6X20	M3X10	4,60
4 X 1/4"	M4-24083-200	1/4" BSPP	75	1/4" BSPP	75	56,20	23,40	134,45	10	7	70	61	18	M6X20	M3X10	4,60
4 X 3/8"	M4-24101-200	3/8" NPT	90	3/8" NPT	90	72,70	30	203	15	10	70	80	25	M6X20	M3X10	8,70
4 X 3/8"	M4-24102-200	3/8" BSP	90	3/8" BSP	90	72,70	30	203	15	10	70	80	25	M6X20	M3X10	8,70
4 X 3/8"	M4-24103-200	3/8" BSPP	90	3/8" BSPP	90	72,70	30	203	15	10	70	80	25	M6X20	M3X10	8,70
4 X 1/2"	M4-24151-200	1/2" NPT	125	1/2" NPT	125	89,65	37,40	246,50	20	13	112	105	40	M6X20	M3X10	21,15
4 X 1/2"	M4-24152-200	1/2" BSP	125	1/2" BSP	125	89,65	37,40	246,50	20	13	112	105	40	M6X20	M3X10	21,15
4 X 1/2"	M4-24153-200	1/2" BSPP	125	1/2" BSPP	125	89,65	37,40	246,50	20	13	112	105	40	M6X20	M3X10	21,15
4 X 3/4"	M4-24201-200	3/4" NPT	135	3/4" NPT	135	95,35	43,40	273,20	20	18	115	115	45	M8X20	M4X10	26,25
4 X 3/4"	M4-24202-200	3/4" BSP	135	3/4" NPT	135	95,35	43,40	273,20	20	18	115	115	45	M8X20	M4X10	26,25
4 X 3/4"	M4-24203-200	3/4" BSPP	135	3/4" NPT	135	95,35	43,40	273,20	20	18	115	115	45	M8X20	M4X10	26,25

4 X 1"	M4-24251-200	1" NPT	150	1" NPT	150	109,35	50,40	314,90	25	22	130	132	55	M10X50	M10X20	45,30
4 X 1"	M4-24252-200	1" BSP	150	1" BSP	150	109,35	50,40	314,90	25	22	130	132	55	M10X50	M10X20	45,30
4 X 1"	M4-24253-200	1" BSPP	150	1" BSPP	150	109,35	50,40	314,90	25	22	130	132	55	M10X50	M10X20	45,30