

Rotary Joint

# 3000A-T2 Series

Media Type  
Water + General Purpose

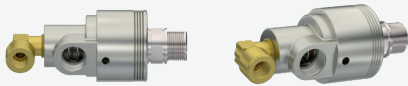
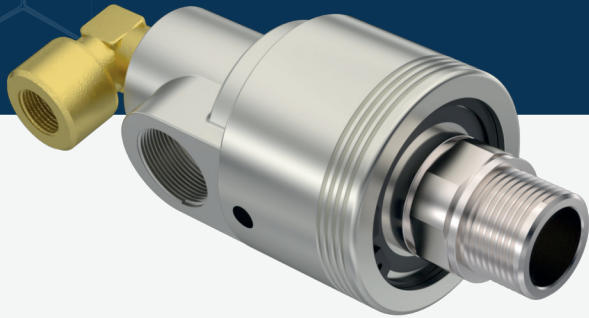
Max. Speed  
750 - 3500 RPM

Max. Pressure  
20 BAR

Max. Temperature  
90 °C

Connection Type  
BSPP, BSPT, NPT, FL, Metric

Rotor Size  
1/4" DN08 - 2" DN50

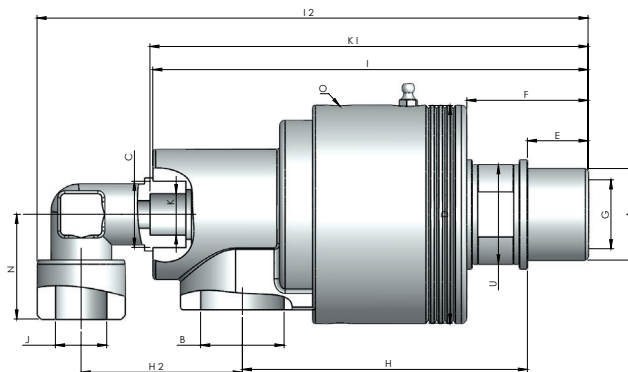


Rotary Joint for water & general purpose

- ✓ Dual flow
- ✓ Balanced mechanical sealing
- ✓ Silicon carbide sealing components
- ✓ Aluminium body and stainless steel shaft/rotor
- ✓ Threaded, Qr & flanged connection

⚠ Do not operate without fluid.

## DIMENSIONS



SIZE	B	J	MODEL NO	A	C	DØ	I	I 2	E	F	K	K I	GØ	H	H 2	N	U	OØ	LØ	S	T	KG
15	1/2" NPT	3/8" NPT	3050-1036-106D	1/2" NPT - RH	3/8" NPT	59	121	151	19	34	1/4" BSPP	120	13	81,50	39,50	25	26	8 (2x180°)				0,77
15	1/2" NPT	3/8" NPT	3050-1036-107D	1/2" NPT - LH	3/8" NPT	59	121	151	19	34	1/4" BSPP	120	13	81,50	39,50	25	26	8 (2x180°)				0,77
15	1/2" NPT	3/8" NPT	3050-1036-100D	Ø24	3/8" NPT	59	121	151		34	1/4" BSPP	120	13	83,50	39,50	25		8 (2x180°)	22	6	11	0,77
15	1/2" BSP	3/8" BSP	3050-1136-206D	1/2" BSP - RH	3/8" BSP	59	121	151	19	34	1/4" BSPP	120	13	81,50	39,50	25	26	8 (2x180°)				0,77
15	1/2" BSP	3/8" BSP	3050-1136-207D	1/2" BSP - LH	3/8" BSP	59	121	151	19	34	1/4" BSPP	120	13	81,50	39,50	25	26	8 (2x180°)				0,77
15	1/2" BSP	3/8" BSP	3050-1136-100D	Ø24	3/8" BSP	59	121	151		34	1/4" BSPP	120	13	83,50	39,50	25		8 (2x180°)	22	6	11	0,77
20	3/4" NPT	3/8" NPT	3075-1036-108D	3/4" NPT - RH	1/2" NPT	69	136,50	171,50	19	36	1/4" BSPP	133,70	17,50	91,50	47,50	30	30	8,5 (2x180°)				1,11
20	3/4" NPT	3/8" NPT	3075-1036-109D	3/4" NPT - LH	1/2" NPT	69	136,50	171,50	19	36	1/4" BSPP	133,70	17,50	91,50	47,50	30	30	8,5 (2x180°)				1,11
20	3/4" NPT	3/8" NPT	3075-1036-100D	Ø30	1/2" NPT	69	136,50	171,50		36	1/4" BSPP	133,70	17,50	91,50	47,50	30	30	8,5 (2x180°)	28	8	14	1,11
20	3/4" BSP	3/8" BSP	3075-1136-208D	3/4" BSP - RH	1/2" BSP	69	136,50	171,50	19	36	1/4" BSPP	133,70	17,50	91,50	47,50	30	30	8,5 (2x180°)				1,11
20	3/4" BSP	3/8" BSP	3075-1136-209D	3/4" BSP - LH	1/2" BSP	69	136,50	171,50	19	36	1/4" BSPP	133,70	17,50	91,50	47,50	30	30	8,5 (2x180°)				1,11
20	3/4" BSP	3/8" BSP	3075-1136-100D	Ø30	1/2" BSP	69	136,50	171,50		36	1/4" BSPP	133,70	17,50	91,50	47,50	30	30	8,5 (2x180°)	28	8	14	1,11
25	1" NPT	1/2" NPT	3100-1036-110D	1" NPT - RH	3/4" NPT	79	158	200	22	44	3/8" BSPP	159	25	103,50	58,50	34,50	36	8,5 (2x180°)				1,60
25	1" NPT	1/2" NPT	3100-1036-111D	1" NPT - LH	3/4" NPT	79	158	200	22	44	3/8" BSPP	159	25	103,50	58,50	34,50	36	8,5 (2x180°)				1,60
25	1" NPT	1/2" NPT	3100-1036-100D	Ø35	3/4" NPT	79	158	200		44	3/8" BSPP	159	25	103,50	58,50	34,50		8,5 (2x180°)	33	8	14	1,60
25	1" BSP	1/2" BSP	3100-1136-110D	1" BSP - RH	3/4" BSP	79	158	200	22	44	3/8" BSPP	159	25	103,50	58,50	34,50	36	8,5 (2x180°)				1,60
25	1" BSP	1/2" BSP	3100-1136-111D	1" BSP - LH	3/4" BSP	79	158	200	22	44	3/8" BSPP	159	25	103,50	58,50	34,50	36	8,5 (2x180°)				1,60
25	1" BSP	1/2" BSP	3100-1136-100D	Ø35	3/4" BSP	79	158	200		44	3/8" BSPP	159	25	103,50	58,50	34,50		8,5 (2x180°)	33	8	14	1,60
32	1 1/4" NPT	3/4" NPT	3125-1036-112D	1 1/4" NPT - RH	1" NPT	89	192	235,50	28	52	1/2" BSPP	192	32	123	69	36,50	46	8,5 (2x180°)				2,40
32	1 1/4" NPT	3/4" NPT	3125-1036-113D	1 1/4" NPT - LH	1" NPT	89	192	235,50	28	52	1/2" BSPP	192	32	123	69	36,50	46	8,5 (2x180°)				2,40
32	1 1/4" NPT	3/4" NPT	3125-1036-100D	Ø45	1" NPT	89	192	235,50		52	1/2" BSPP	192	32	123	69	36,50		8,5 (2x180°)	43	8	14	2,40
32	1 1/4" BSP	3/4" BSP	3125-1136-212D	1 1/4" BSP - RH	1" BSP	89	192	235,50	28	52	1/2" BSPP	192	32	123	69	36,50	46	8,5 (2x180°)				2,40
32	1 1/4" BSP	3/4" BSP	3125-1136-213D	1 1/4" BSP - LH	1" BSP	89	192	235,50	28	52	1/2" BSPP	192	32	123	69	36,50	46	8,5 (2x180°)				2,40
32	1 1/4" BSP	3/4" BSP	3125-1136-100D	Ø45	1" BSP	89	192	235,50		52	1/2" BSPP	192	32	123	69	36,50		8,5 (2x180°)	43	8	14	2,40
40	1 1/2" NPT	3/4" NPT	3150-1036-114D	1 1/2" NPT - RH	1 1/4" NPT	109	225	279	30	70	3/4" BSPP	228	38	153	72	43	55	8,5 (2x180°)				4,30
40	1 1/2" NPT	3/4" NPT	3150-1036-115D	1 1/2" NPT - LH	1 1/4" NPT	109	225	279	30	70	3/4" BSPP	228	38	153	72	43	55	8,5 (2x180°)				4,30
40	1 1/2" NPT	3/4" NPT	3150-1036-100D	Ø50	1 1/4" NPT	109	225	279		70	3/4" BSPP	228	38	153	72	43		8,5 (2x180°)	48	10	17	4,30
40	1 1/2" BSP	3/4" BSP	3150-1136-214D	1 1/2" BSP - RH	1 1/4" BSP	109	225	279	30	70	3/4" BSPP	228	38	153	72	43	55	8,5 (2x180°)				4,30
40	1 1/2" BSP	3/4" BSP	3150-1136-215D	1 1/2" BSP - LH	1 1/4" BSP	109	225	279	30	70	3/4" BSPP	228	38	153	72	43	55	8,5 (2x180°)				4,30
40	1 1/2" BSP	3/4" BSP	3150-1136-100D	Ø50	1 1/4" BSP	109	225	279		70	3/4" BSPP	228	38	153	72	43		8,5 (2x180°)	48	10	17	4,30
50	2" NPT	1" NPT	3200-1036-116D	2" NPT - RH	1 1/2" NPT	119	249	306	30	64	1" BSPP	249	48	164	87,50	46,50	60	8,5 (2x180°)				5

50	2" NPT	1" NPT	3200-1036-117D	2" NPT - LH	1 1/2" NPT	119	249	306	30	64	1" BSPP	249	48	164	87,50	46,50	60	8,5 (2x180°)				5
50	2" NPT	1" NPT	3200-1036-100D	Ø48		119	249	306		64	1" BSPP	249	48	164	87,50	46,50		8,5 (2x180°)	63	10	17	5
50	2" BSP	1" BSP	3200-1136-216D	2" BSP - RH	1 1/2" BSP	119	249	306	30	64	1" BSPP	249	48	164	87,50	46,50	60	8,5 (2x180°)				5
50	2" BSP	1" BSP	3200-1136-217D	2" BSP - LH	1 1/2" BSP	119	249	306	30	64	1" BSPP	249	48	164	87,50	46,50	60	8,5 (2x180°)				5
50	2" BSP	1" BSP	3200-1136-100D	Ø48		119	249	306		64	1" BSPP	249	48	164	87,50	46,50		8,5 (2x180°)	63	10	17	5
65	1 1/2" NPT		3250-1036-118D	2 1/2" NPT	2 1/2" NPT	149	317		18	79	1 1/2" BSPP	291	60,50	202,50		63	88	14 (2x180°)				10,60
65	1 1/2" NPT		3250-1036-119D	2 1/2" NPT	2 1/2" NPT	149	317		18	79	1 1/2" BSPP	291	60,50	202,50		63	88	14 (2x180°)				10,60
65	1 1/2" BSP		3250-1136-218D	2 1/2" BSP	2 1/2" BSP	149	317		18	79	1 1/2" BSPP	291	60,50	202,50		63	88	14 (2x180°)				10,60
65	1 1/2" BSP		3250-1136-219D	2 1/2" BSP	2 1/2" BSP	149	317		18	79	1 1/2" BSPP	291	60,50	202,50		63	88	14 (2x180°)				10,60
80	2" NPT		3300-1036-120D	3" NPT	3" NPT	169	337		44	89	2" BSPP	320	73	223		77	100	14 (2x180°)				14,20
80	2" NPT		3300-1036-121D	3" NPT	3" NPT	169	337		44	89	2" BSPP	320	73	223		77	100	14 (2x180°)				14,20
80	2" BSP		3300-1136-220D	3" BSP	3" BSP	169	337		44	89	2" BSPP	320	73	223		77	100	14 (2x180°)				14,20
80	2" BSP		3300-1136-221D	3" BSP	3" BSP	169	337		44	89	2" BSPP	320	73	223		77	100	14 (2x180°)				14,20
100	2 1/2" NPT		3400-1036-122D	4" NPT	4" NPT	209	408		40	108	2 1/2" BSPP	376	96	271		90	122	14 (2x180°)				20
100	2 1/2" NPT		3400-1036-123D	4" NPT	4" NPT	209	408		40	108	2 1/2" BSPP	376	96	271		90	122	14 (2x180°)				20
100	2 1/2" BSP		3400-1136-222D	4" BSP	4" BSP	209	408		40	108	2 1/2" BSPP	376	96	271		90	122	14 (2x180°)				20
100	2 1/2" BSP		3400-1136-223D	4" BSP	4" BSP	209	408		40	108	2 1/2" BSPP	376	96	271		90	122	14 (2x180°)				20