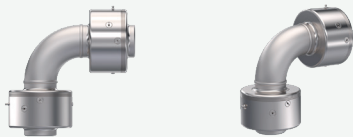


Swivel Joint

E1-KKS4 Series



Swivel Joint for water, hydraulic oil, gress and chemical fluids

Media Type
**Hydraulic Oil,
Water + General Purpose**

Max. Pressure
250 BAR

Connection Type
Weld End

Max. Speed
20 RPM

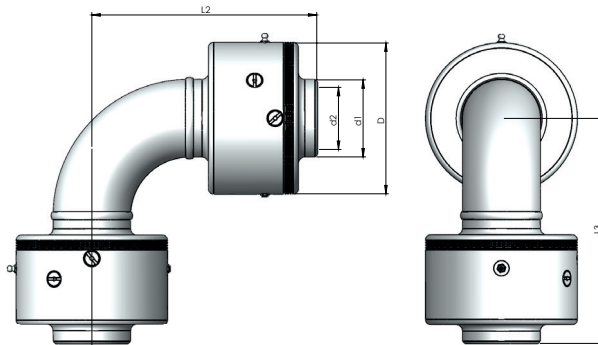
Max. Temperature
120 °C

Rotor Size
3/4" DN20 - 8" DN200

- ✓ Single flow design
- ✓ Stainless steel body
- ✓ Hardened inner sealing surface
- ✓ Special design sealing components
- ✓ Easy changable repair parts
- ✓ Weld end connection

 Do not operate without fluid.

DIMENSIONS



SIZE	MODEL NO	DØ	L2	L3	d1Ø	d2Ø	KG
20	E1 - KK4-020-304	72	104	104	26,90	21,10	3,05
25	E1 - KK4-025-304	78	111	111	33,70	27,30	3,45
32	E1 - KK4-032-304	88	153	153	42,40	35,20	6,32
40	E1 - KK4-040-304	100	162	162	48,30	36,90	8,77
50	E1 - KK4-050-304	118	176	176	60,30	48,50	11,24
65	E1 - KK4-065-304	133	205	205	76,10	59	16,09
80	E1 - KK4-080-304	139	225	225	88,90	76,30	15,54
100	E1 - KK4-100-304	175	262	262	114,30	97,10	24,86
125	E1 - KK4-125-304	199	330	330	139,70	122,30	38,26
150	E1 - KK4-150-304	222	374	374	168,30	154,10	45,87
200	E1 - KK4-200-304	288	485	485	219,10	200	97,53