

Rotary Joint

400-T2 Series

Media Type
Water + General Purpose

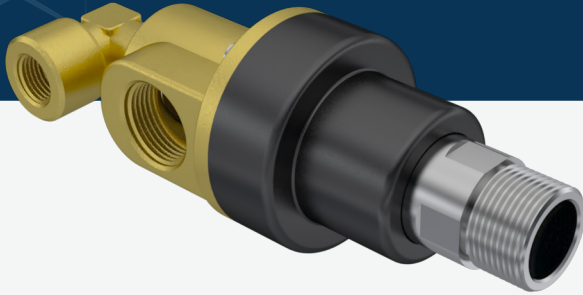
Max. Speed
100 RPM

Max. Pressure
10 BAR

Max. Temperature
100 °C

Connection Type
BSP, BSPT, NPT, FL, Metric

Rotor Size
3/4" DN20 - 1" DN25



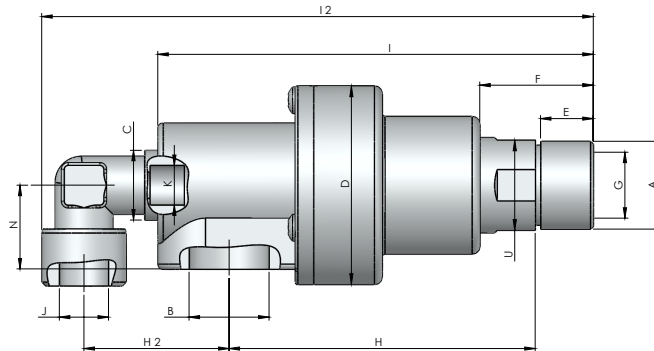
- ✓ Dual Flow
- ✓ Stainless Steel Shaft/Rotor
- ✓ Nodular casting body
- ✓ Radial housing connection
- ✓ Silicon Carbide /Silicon Carbide



Special SiC Carbide sealing elements with bronze bearing

 Do not operate without fluid.

DIMENSIONS



SIZE	B	MODEL NO	A	J	C	K	DØ	I	I2	E	F	GØ	U	H	H2	N	KG
20	3/4" NPT	407-036-108D	3/4" NPT	1/2" NPT	1/2" NPT	1/4" NPT	65	145,50	184	15	36	17,50	28	105	48,50	27,50	1,60
20	3/4" NPT	407-036-109D	3/4" NPT	1/2" NPT	1/2" NPT	1/4" NPT	65	145,50	184	15	36	17,50	28	105	48,50	27,50	1,60
20	3/4" BSP	407-336-208D	3/4" BSP	1/2" BSP	1/2" BSP	1/4" BSP	65	145,50	184	15	36	17,50	28	105	48,50	27,50	1,60
20	3/4" BSP	407-336-209D	3/4" BSP	1/2" BSP	1/2" BSP	1/4" BSP	65	145,50	184	15	36	17,50	28	105	48,50	27,50	1,60
25	1" NPT	410-036-110D	1" NPT	1/2" NPT	3/4" NPT	3/8" NPT	75	165	209	20	43	25	34	116	55	32	2,25
25	1" NPT	410-036-111D	1" NPT	1/2" NPT	3/4" NPT	3/8" NPT	75	165	209	20	43	25	34	116	55	32	2,25
25	1" BSP	410-336-210D	1" BSP	1/2" BSP	3/4" BSP	3/8" BSP	75	165	209	20	43	25	34	116	55	32	2,25
25	1" BSP	410-336-211D	1" BSP	1/2" BSP	3/4" BSP	3/8" BSP	75	165	209	20	43	25	34	116	55	32	2,25