

Rotary Joint

# 9000R-T5 Series

Media Type  
**Steam**

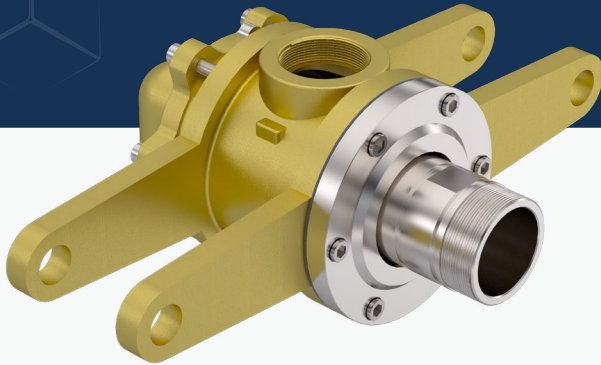
Max. Speed  
**200 - 100 RPM**

Max. Pressure  
**30 - 20 BAR**

Max. Temperature  
**260 - 280 °C**

Connection Type  
**BSPT, SSR, FL**

Rotor Size  
**3/4" DN20 - 5" DN125**

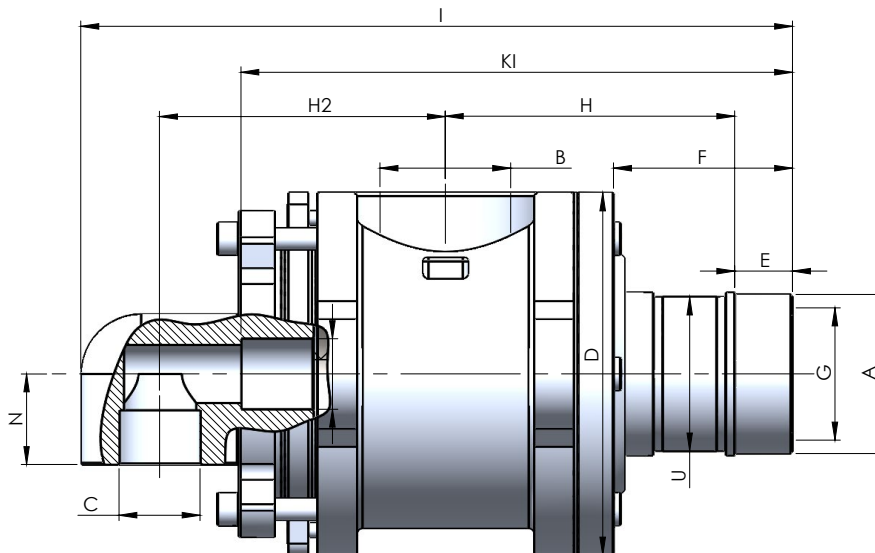


Rotary Joint for steam

- ✓ Duoflow design
- ✓ Nodular casting housing
- ✓ Stainless steel shaft and inner components
- ✓ Carbon Graphite sealing parts
- ✓ Stationary or rotating siphon system
- ✓ Threaded, Qr & flanged connection

⚠ Do not operate without fluid.

## DIMENSIONS



SIZE	B	MODEL NO	A	C	DØ	I	E	F	K	KI	GØ	H	H2	W	N	OØ	U	L	S	T	KG
20	3/4" NPT	R9075-5107-0504-108	3/4" NPT - RH	1/2" NPT	87	182,50	20	45	1/8" - 1/4" BSPP	154,50	18	67	77,50	108	20	13	32				2,97
20	3/4" NPT	R9075-5107-0504-109	3/4" NPT - LH	1/2" NPT	87	182,50	20	45	1/8" - 1/4" BSPP	154,50	18	67	77,50	108	20	13	32				2,97
20	3/4" NPT	R9075-5107-0504-70	Ø30	1/2" NPT	87	182,50		45	1/8" - 1/4" BSPP	154,50	18	67	77,50	108	20	13		28	8	13	2,97
20	3/4" BSP	R9075-5207-0504-208	3/4" BSP - RH	1/2" BSP	87	182,50	20	45	1/8" - 1/4" BSPP	154,50	18	67	77,50	108	20	13	32				2,97
20	3/4" BSP	R9075-5207-0504-209	3/4" BSP - LH	1/2" BSP	87	182,50	20	45	1/8" - 1/4" BSPP	154,50	18	67	77,50	108	20	13	32				2,97
20	3/4" BSP	R9075-5207-0504-70	Ø30	1/2" BSP	87	182,50		45	1/8" - 1/4" BSPP	154,50	18	67	77,50	108	20	13		28	8	13	2,97
25	3/4" NPT	R9100-5107-0503-110	1" NPT - RH	1/2" NPT	108	224	22	79	1/4" - 3/8" BSPP	193	25	101,50	82	108 - 248	25	13	32				5,65
25	3/4" NPT	R9100-5107-0503-111	1" NPT - LH	1/2" NPT	108	224	22	79	1/4" - 3/8" BSPP	193	25	101,50	82	108 - 248	25	13	32				5,65
25	3/4" NPT	R9100-5107-0503-70	Ø35	1/2" NPT	108	224		79	1/4" - 3/8" BSPP	193	25	102,50	82	108 - 248	25	13		33	8	13	5,65
25	3/4" BSP	R9100-5207-0503-210	1" BSP - RH	1/2" BSP	108	224	22	79	1/4" - 3/8" BSPP	193	25	101,50	82	108 - 248	25	13	32				5,65
25	3/4" BSP	R9100-5207-0503-211	1" BSP - LH	1/2" BSP	108	224	22	79	1/4" - 3/8" BSPP	193	25	101,50	82	108 - 248	25	13	32				5,65
25	3/4" BSP	R9100-5207-0503-70	Ø35	1/2" BSP	108	224		79	1/4" - 3/8" BSPP	193	25	102,50	82	108 - 248	25	13		33	8	13	5,65
32	1" NPT	R9120-5110-0705-112	1 1/4" NPT - RH	1/2" NPT	116	227	25	65	3/8" - 1/2" BSPP	186	32	88,50	88,50	164 - 276	34	13	41				6,65
32	1" NPT	R9120-5110-0705-113	1 1/4" NPT - LH	1/2" NPT	116	227	25	65	3/8" - 1/2" BSPP	186	32	88,50	88,50	165 - 276	34	13	41				6,65
32	1" NPT	R9120-5110-0705-70	Ø47,50	1/2" NPT	116	227		65	3/8" - 1/2" BSPP	186	32	88,50	88,50	166 - 276	34	13		45	13	23	6,65
32	1" BSP	R9120-5210-0705-112	1 1/4" BSP - RH	1/2" BSP	116	227	25	65	3/8" - 1/2" BSPP	186	32	88,50	88,50	167 - 276	34	13	41				6,65
32	1" BSP	R9120-5210-0705-113	1 1/4" BSP - LH	1/2" BSP	116	227	25	65	3/8" - 1/2" BSPP	186	32	88,50	88,50	168 - 276	34	13	41				6,65
32	1" BSP	R9120-5210-0705-70	Ø47,50	1/2" BSP	116	227		65	3/8" - 1/2" BSPP	186	32	88,50	88,50	169 - 276	34	13		45	13	23	6,65
40	1 1/4" NPT	R9150-5112-1007-114	1 1/2" NPT - RH	3/4" - 1" NPT	152	261	27	75	1/2" - 3/4" BSPP	215	40	105,50	99,50	191 - 343	35	21	50				12,90
40	1 1/4" NPT	R9150-5112-1007-115	1 1/2" NPT - LH	3/4" - 1" NPT	152	261	27	75	1/2" - 3/4" BSPP	215	40	105,50	99,50	191 - 343	35	21	50				12,90
40	1 1/4" NPT	R9150-5112-1007-70	Ø50	3/4" - 1" NPT	152	261		75	1/2" - 3/4" BSPP	215	40	106,50	99,50	191 - 343	35	21		18	10	16	12,90

40	1 1/4" BSP	R9150-5212-1007-214	1 1/2" BSP - RH	3/4" - 1" BSP	152	261	27	75	1/2" - 3/4" BSPP	215	40	105,50	99,50	191 - 343	35	21	50				12,90
40	1 1/4" BSP	R9150-5212-1007-215	1 1/2" BSP - LH	3/4" - 1" BSP	152	261	27	75	1/2" - 3/4" BSPP	215	40	105,50	99,50	191 - 343	35	21	50				12,90
40	1 1/4" BSP	R9150-5212-1007-70	Ø50	3/4" - 1" BSP	152	261		75	1/2" - 3/4" BSPP	215	40	106,50	99,50	191 - 343	35	21		48	10	16	12,90
50	1 1/2" NPT	R9200-5115-1210-116	2" NPT - RH	3/4" - 1 1/4" NPT	162	296	30	75	1/2" - 1" BSPP	241	49	112	121	116 - 390	45	21	60				17,75
50	1 1/2" NPT	R9200-5115-1210-117	2" NPT - LH	3/4" - 1 1/4" NPT	162	296	30	75	1/2" - 1" BSPP	241	49	112	121	116 - 390	45	21	60				17,75
50	1 1/2" NPT	R9200-5115-1210-70	Ø65	3/4" - 1 1/4" NPT	162	296		75	1/2" - 1" BSPP	241	49	112	121	116 - 390	45	21		63	10	16	17,75
50	1 1/2" BSP	R9200-5215-1210-216	2" BSP - RH	3/4" - 1 1/4" BSP	162	296	30	75	1/2" - 1" BSPP	241	49	112	121	116 - 390	45	21	60				17,75
50	1 1/2" BSP	R9200-5215-1210-217	2" BSP - LH	3/4" - 1 1/4" BSP	162	296	30	75	1/2" - 1" BSPP	241	49	112	121	116 - 390	45	21	60				17,75
50	1 1/2" BSP	R9200-5215-1210-70	Ø65	3/4" - 1 1/4" BSP	162	296		75	1/2" - 1" BSPP	241	49	112	121	116 - 390	45	21		63	10	16	17,75
65	2" NPT	R9250-5125-1010-118	2 1/2" NPT - RH	1" NPT	185	343,50	38	95	3/4" - 1" BSPP	262	60,50	131	137	216 - 360	45	27	75				25,40
65	2" NPT	R9150-5125-1010-119	2 1/2" NPT - LH	1" NPT	185	343,50	38	95	3/4" - 1" BSPP	262	60,50	131	137	216 - 360	45	27	75				25,40
65	2" NPT	R9150-5125-1010-70	Ø76	1" NPT	185	343,50		95	3/4" - 1" BSPP	262	60,50	131	137	216 - 360	45	27		72	16	28	25,40
65	2" BSP	R9150-5225-1010-218	2 1/2" BSP - RH	1" BSP	185	343,50	38	95	3/4" - 1" BSPP	262	60,50	131	137	216 - 360	45	27	75				25,40
65	2" BSP	R9150-5225-1010-219	2 1/2" BSP - LH	1" BSP	185	343,50	38	95	3/4" - 1" BSPP	262	60,50	131	137	216 - 360	45	27	75				25,40
65	2" BSP	R9150-5225-1010-70	Ø76	1" BSP	185	343,50		95	3/4" - 1" BSPP	262	60,50	131	137	216 - 360	45	27		72	16	28	25,40
80	2 1/2" NPT	R9300-5125-1512-120	3" NPT - RH	1 1/4" - 1 1/2" NPT	200	393,50	32	99	3/4" - 1 1/2" BSPP	305	73	160	158	230 - 495	50	33	85				36,70
80	2 1/2" NPT	R9300-5125-1512-121	3" NPT - LH	1 1/4" - 1 1/2" NPT	200	393,50	32	99	3/4" - 1 1/2" BSPP	305	73	160	158	230 - 495	50	33	85				36,70
80	2 1/2" NPT	R9300-5125-1512-70	Ø87,30	1 1/4" - 1 1/2" NPT	200	393,50		99	3/4" - 1 1/2" BSPP	305	73	160	158	230 - 495	50	33		84	22	31	36,70
80	2 1/2" BSP	R9300-5225-1512-220	3" BSP - RH	1 1/4" - 1 1/2" BSP	200	393,50	32	99	3/4" - 1 1/2" BSPP	305	73	160	158	230 - 495	50	33	85				36,70
80	2 1/2" BSP	R9300-5225-1512-221	3" BSP - LH	1 1/4" - 1 1/2" BSP	200	393,50	32	99	3/4" - 1 1/2" BSPP	305	73	160	158	230 - 495	50	33	85				36,70
80	2 1/2" BSP	R9300-5225-1512-70	Ø87,30	1 1/4" - 1 1/2" BSP	200	393,50		99	3/4" - 1 1/2" BSPP	305	73	160	158	230 - 495	50	33		84	22	31	36,70
100	3" NPT	R9400-5130-2020-124	4" NPT - RH	1" - 2" NPT	257	528	40	161	1" - 2" BSPP	397	98	231	197	235 - 375	59	41	115				61,90

100	3" NPT	R9400-5130-2020-125	4" NPT - LH	1" - 2" NPT	257	528	40	161	1" - 2" BSPP	397	98	231	197	235 - 375	59	41	115				61,90
100	3" NPT	R9400-5130-2020-70	Ø114	1" - 2" NPT	257	528		161	1" - 2" BSPP	397	98	231	197	235 - 375	59	41		110	12	22	60,60
100	3" BSP	R9400-5230-2020-224	4" BSP - RH	1" - 2" BSP	257	528	40	161	1" - 2" BSPP	397	98	231	197	235 - 375	59	41	115				61,90
100	3" BSP	R9400-5230-2020-225	4" BSP - LH	1" - 2" BSP	257	528	40	161	1" - 2" BSPP	397	98	231	197	235 - 375	59	41	115				61,90
100	3" BSP	R9400-5230-2020-70	Ø114	1" - 2" BSP	257	528		161	1" - 2" BSPP	397	98	231	197	235 - 375	59	41		110	12	22	60,60
125	4" NPT	R9500-5140-3025-126	5" NPT - RH	2" - 3" NPT	330	601	40	150	1 1/4" - 2 1/2" BSPP	421	122	235,50	243	400 - 457	85	54	145				114,20
125	4" NPT	R9500-5140-3025-127	5" NPT - LH	2" - 3" NPT	330	601	40	150	1 1/4" - 2 1/2" BSPP	421	122	235,50	243	400 - 457	85	54	145				114,20
125	4" NPT	R9500-5140-3025-70	Ø150	2" - 3" NPT	330	601		150	1 1/4" - 2 1/2" BSPP	421	122	235,50	243	400 - 457	85	54		145	35	39	114,90
125	4" BSP	R9500-5240-3025-226	5" BSP - RH	2" - 3" BSP	330	601	40	150	1 1/4" - 2 1/2" BSPP	421	122	235,50	243	400 - 457	85	54	145				114,20
125	4" BSP	R9500-5240-3025-227	5" BSP - LH	2" - 3" BSP	330	601	40	150	1 1/4" - 2 1/2" BSPP	421	122	235,50	243	400 - 457	85	54	145				114,20
125	4" BSP	R9500-5240-3025-70	Ø150	2" - 3" BSP	330	601		150	1 1/4" - 2 1/2" BSPP	421	122	235,50	243	400 - 457	85	54		145	35	39	114,90