

Swivel Joint

E9-D90D90S Series

Media Type
**Hydraulic Oil,
Water + General Purpose**

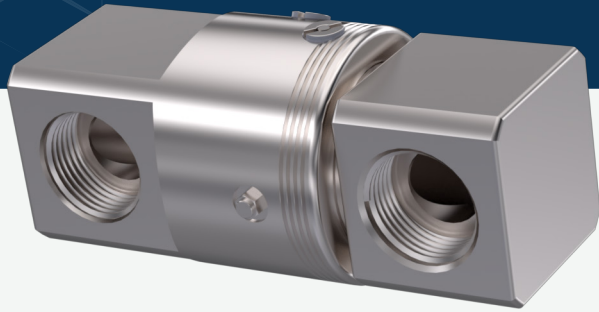
Max. Speed
20 RPM

Max. Pressure
300 BAR

Max. Temperature
120 °C

Connection Type
BSP, BSPP, NPT, Metric

Rotor Size
1/4" DN08 - 1 1/2" DN40

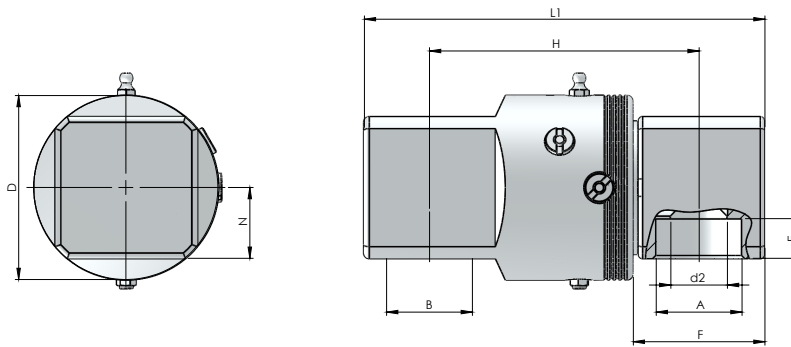


- ✓ Single flow design,
- ✓ Stainless steel material
- ✓ Hardened inner sealing surface
- ✓ Special design sealing components
- ✓ Easy changable repair parts
- ✓ BSP, BSPP, NPT, UNF, Metric threads...

Swivel Joint for water, hydraulic oil, gress and chemical fluids

Do not operate without fluid.

DIMENSIONS



SIZE	MODEL NO	A	DØ	L1	E	F	d2Ø	H	N	KG
1/4" BSP	E9 - D90D90-008-304	1/4" BSP	40	93	9,70	27	7	67	20	0,71
3/8" BSP	E9 - D90D90-010-304	3/8" BSP	40	93	9,70	27	9	67	20	0,71
1/2" BSP	E9 - D90D90-015-304	1/2" BSP	50	113	13,20	35	12	81,50	20	1,20
3/4" BSP	E9 - D90D90-020-304	3/4" BSP	60	131	14,50	42	14	92	24	2
1" BSP	E9 - D90D90-025-304	1" BSP	65	141,50	14	25	20	95,25	25	2,48
1 1/4" BSP	E9 - D90D90-032-304	1 1/4" BSP	75	185	17	57	25	127	31	4,63
1 1/2" BSP	E9 - D90D90-040-304	1 1/2" BSP	80	198	16	67,50	32	132	35	5,67