

Multiports

M1-SR2

Media Type
Hydraulic Oil, Air - Vacuum

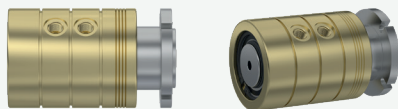
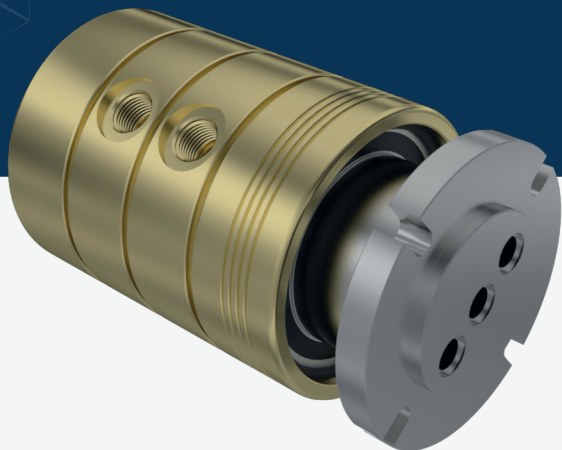
Max. Speed
250 RPM

Max. Pressure
250 BAR

Max. Temperature
80 °C

Connection Type
NPT, BSPP, BSPT

Rotor Size
2 x 1/4" - 12 x 3/4"

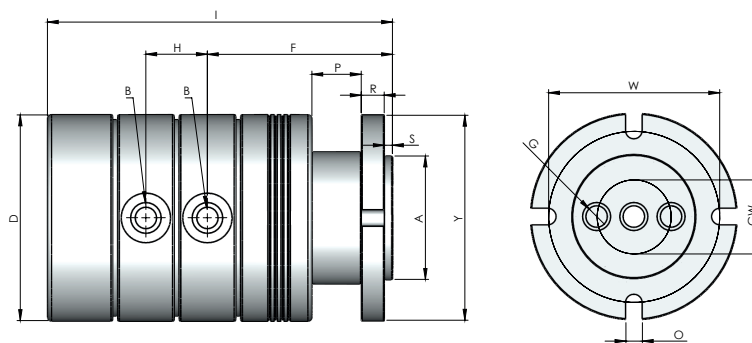


Multi-pass rotary unions

- ✓ Multi flow design
- ✓ Self supported design
- ✓ Dynamic carbon teflon sealing
- ✓ Special design sealing part for different fluids
- ✓ Flanged shaft
- ✓ Chrom plated sealing surface
- ✓ For low-quality fluids
- ✓ Custom connections types are available

! Do not operate without fluid.

DIMENSIONS



SIZE (DN)	MODEL NO	B	Y Ø	A Ø	G Ø	D Ø	F	H	I	S	P	R	W	GW	O	KG
2 x 1/4"	M1-42081-200	1/4" NPT	81	45	7	80	71	23,40	135,50	3	20	7	70	20	6,50	4,20
2 x 1/4"	M1-42082-200	1/4" BSP	81	45	7	80	71	23,40	135,50	3	20	7	70	20	6,50	4,20
2 x 1/4"	M1-42083-200	1/4" BSPP	81	45	7	80	71	23,40	135,50	3	20	7	70	20	6,50	4,20
2 X 3/8"	M1-42101-200	3/8" NPT	80	45	10	80	85	30	154,30	3	20	7	68	18	6,50	4,85
2 X 3/8"	M1-42102-200	3/8" BSP	80	45	10	80	85	30	154,30	3	20	7	68	18	6,50	4,85
2 X 3/8"	M1-42103-200	3/8" BSPP	80	45	10	80	85	30	154,30	3	20	7	68	18	6,50	4,85
2 X 1/2"	M1-42151-200	1/2" NPT	125	75	13	125	112,50	37,40	210	5	30	14	104	45	10	16,50
2 X 1/2"	M1-42152-200	1/2" BSP	125	75	13	125	112,50	37,40	210	5	30	14	104	45	10	16,50
2 X 1/2"	M1-42153-200	1/2" BSPP	125	75	13	125	112,50	37,40	210	5	30	14	104	45	10	16,50
2 X 3/4"	M1-42201-200	3/4" NPT	135	85	18	135	117,50	43,40	223,80	5	35	12	110	46	11	19,70
2 X 3/4"	M1-42202-200	3/4" BSP	135	85	18	135	117,50	43,40	223,80	5	35	12	110	46	11	19,70
2 X 3/4"	M1-42203-200	3/4" BSPP	135	85	18	135	117,50	43,40	223,80	5	35	12	110	46	11	19,70