

Multiports M5-A3

Media Type
Air - Vacuum

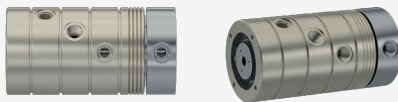
Max. Speed
250 RPM

Max. Pressure
10 BAR

Max. Temperature
80 °C

Connection Type
NPT, BSPP, BSPT

Rotor Size
2 x 1/4" - 16 x 3/8"

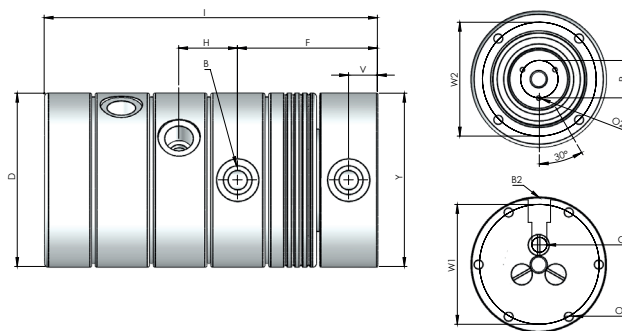


Multi-passage rotary unions.

- ✓ Multi flow design
- ✓ Self supported design
- ✓ Dynamic carbon teflon sealing
- ✓ Special design sealing part for different fluids
- ✓ BSP, NPT metric threads inlet's & outlet's
- ✓ Chrom plated sealing surface
- ✓ Aluminium body
- ✓ Custom connections types are available

! Do not operate without fluid.

DIMENSIONS



SIZE	MODEL NO	B	YØ	B2	DØ	F	H	I	V	GØ	W1Ø	W2Ø	RØ	O1	O2	KG
3 X 1/4"	M5-33081-200	1/4" NPT	75	1/4" NPT	75	56,20	23,70	134,50	10	7	63	61	18	M6X20	M3X10	2,35
3 X 1/4"	M5-33082-200	1/4" BSP	75	1/4" BSP	75	56,20	23,70	134,50	10	7	63	61	18	M6X20	M3X10	2,35
3 X 1/4"	M5-33083-200	1/4" BSPP	75	1/4" BSPP	75	56,20	23,70	134,50	10	7	63	61	18	M6X20	M3X10	2,35
3 X 3/8"	M5-33101-200	3/8" NPT	90	3/8" NPT	90	72,70	30	173	15	10	80	76	25	M6X20	M3X10	4,70
3 X 3/8"	M5-33102-200	3/8" BSP	90	3/8" BSP	90	72,70	30	173	15	10	80	76	25	M6X20	M3X10	4,70
3 X 3/8"	M5-33103-200	3/8" BSPP	90	3/8" BSPP	90	72,70	30	173	15	10	80	76	25	M6X20	M3X10	4,70