

Rotary Joint

4000-T2 Serisi

🚰 Akışkan Tipi
Buhar

🕒 Maks. Hız
400 RPM

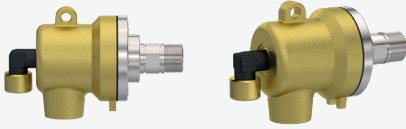
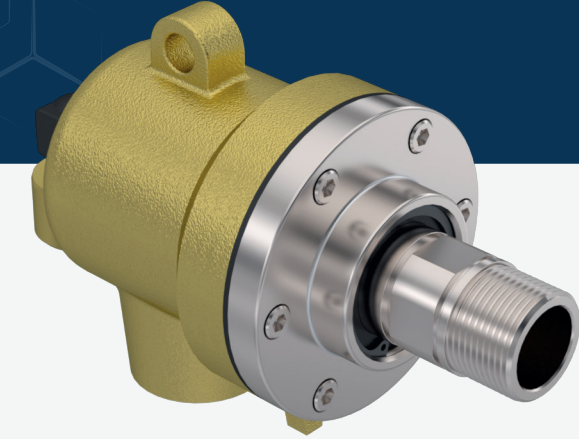
📏 Maks. Basınç
17 BAR

🌡️ Maks. Sıcaklık
180 °C

🔗 Bağlantı Tipi

BSP, BSPT, NPT, FL, Metrik 1/2" DN15 - 2" DN50

🌀 Rotor Ölçüsü

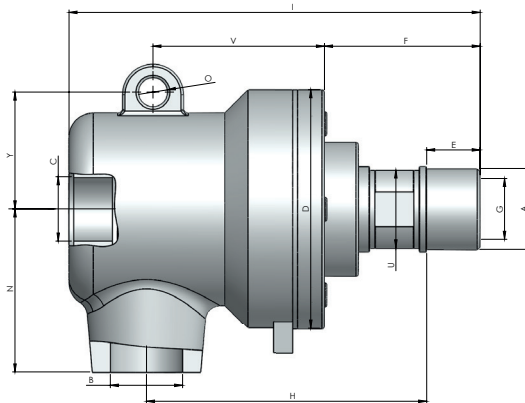


Buhar için sızdırmazlık başlığı

- ✓ Çift hat geçişi
- ✓ İç destekli sızdırmazlık ve yataklama
- ✓ Paslanmaz çelik şaft ve iç aksam
- ✓ Sfero döküm yüksek kalite gövde
- ✓ Karbon grafit (Reçineli, Antimuanlı) konik sızdırmazlıklar
- ✓ Geniş ölçü, bağlantı ve diş tipi olanağı

⚠️ Akışkan olmadan çalıştırmayın.

ÖLÇÜLER



BOYUT	B		MODEL NO	A	C	DØ	I	I 2	E	F	GØ	K	K I	N	Y	H	H 2	U	V	OØ	LØ	S	T	KG
15	1/2" NPT	3/8" NPT	4050-110-106D	1/2" NPT - RH	3/8" NPT	92	147	174,50	20	60	15	1/8" BSPP	143,50	53,50	42	101	42,50	22	58	12				2,50
15	1/2" NPT	3/8" NPT	4050-110-107D	1/2" NPT - LH	3/8" NPT	92	147	174,50	20	60	15	1/8" BSPP	143,50	53,50	42	101	42,50	22	58	12				2,50
15	1/2" NPT	3/8" NPT	4050-110-100D	Ø24	3/8" NPT	92	147	174,50		60	15	1/8" BSPP	143,50	53,50	42	104	42,50		58	12	22	6	11	2,50
15	1/2" BSP	3/8" BSP	4050-210-206D	1/2" BSP - RH	3/8" BSP	92	147	174,50	20	60	15	1/8" BSPP	143,50	53,50	42	101	42,50	22	58	12				2,50
15	1/2" BSP	3/8" BSP	4050-210-207D	1/2" BSP - LH	3/8" BSP	92	147	174,50	20	60	15	1/8" BSPP	143,50	53,50	42	101	42,50	22	58	12				2,50
15	1/2" BSP	3/8" BSP	4050-210-100D	Ø24	3/8" BSP	92	147	174,50		60	15	1/8" BSPP	143,50	53,50	42	104	42,50		58	12	22	6	11	2,50
20	3/4" NPT	1/2" NPT	4075-110-108D	3/4" NPT - RH	1/2" NPT	92	156	189,50	20	60	18	1/4" BSPP	154	60	44,50	105,50	50,50	27	66,50	12				3,10
20	3/4" NPT	1/2" NPT	4075-110-109D	3/4" NPT - LH	1/2" NPT	92	156	189,50	20	60	18	1/4" BSPP	154	60	44,50	105,50	50,50	27	66,50	12				3,10
20	3/4" NPT	1/2" NPT	4075-110-100D	Ø30	1/2" NPT	92	156	189,50		60	18	1/4" BSPP	154	60	44,50	105,50	50,50		66,50	12	28	8	13	3,10
20	3/4" BSP	1/2" BSP	4075-210-208D	3/4" BSP - RH	1/2" BSP	92	156	189,50	20	60	18	1/4" BSPP	154	60	44,50	105,50	50,50	27	66,50	12				3,10
20	3/4" BSP	1/2" BSP	4075-210-209D	3/4" BSP - LH	1/2" BSP	92	156	189,50	20	60	18	1/4" BSPP	154	60	44,50	105,50	50,50	27	66,50	12				3,10
20	3/4" BSP	1/2" BSP	4075-210-100D	Ø30	1/2" BSP	92	156	189,50		60	18	1/4" BSPP	154	60	44,50	105,50	50,50		66,50	12	28	8	13	3,10
25	1" NPT	1/2" NPT	4100-110-110D	1" NPT - RH	3/4" NPT	98	169	206	22	64	25	3/8" BSPP	164	67	48	115	53	32	70,50	12				3,90
25	1" NPT	1/2" NPT	4100-110-111D	1" NPT - LH	3/4" NPT	98	169	206	22	64	25	3/8" BSPP	164	67	48	115	53	32	70,50	12				3,90
25	1" NPT	1/2" NPT	4100-110-100D	Ø35	3/4" NPT	98	169	206		64	25	3/8" BSPP	164	67	48	116	53		70,50	12	33	8	13	3,90
25	1" BSP	1/2" BSP	4100-210-210D	1" BSP - RH	3/4" BSP	98	169	206	22	64	25	3/8" BSPP	164	67	48	115	53	32	70,50	12				3,90
25	1" BSP	1/2" BSP	4100-210-211D	1" BSP - LH	3/4" BSP	98	169	206	22	64	25	3/8" BSPP	164	67	48	115	53	32	70,50	12				3,90
25	1" BSP	1/2" BSP	4100-210-100D	Ø35	3/4" BSP	98	169	206		64	25	3/8" BSPP	164	67	48	116	53		70,50	12	33	8	13	3,90
32	1 1/4" NPT	3/4" NPT	4125-110-112D	1 1/4" NPT - RH	1" NPT	110	192	229	25	73	32	1/2" BSPP	187	76	59	129,50	58,50	41	80	15				5,55
32	1 1/4" NPT	3/4" NPT	4125-110-113D	1 1/4" NPT - LH	1" NPT	110	192	229	25	73	32	1/2" BSPP	187	76	59	129,50	58,50	41	80	15				5,55
32	1 1/4" NPT	3/4" NPT	4125-110-100D	Ø45	1" NPT	110	192	229		73	32	1/2" BSPP	187	76	59	133,50	58,50		80	15	43	8	13	5,55
32	1 1/4" BSP	3/4" BSP	4125-210-212D	1 1/4" BSP - RH	1" BSP	110	192	229	25	73	32	1/2" BSPP	187	76	59	129,50	58,50	41	80	15				5,55
32	1 1/4" BSP	3/4" BSP	4125-210-213D	1 1/4" BSP - LH	1" BSP	110	192	229	25	73	32	1/2" BSPP	187	76	59	129,50	58,50	41	80	15				5,55
32	1 1/4" BSP	3/4" BSP	4125-210-100D	Ø45	1" BSP	110	192	229		73	32	1/2" BSPP	187	76	59	133,50	58,50		80	15	43	8	13	5,55
40	1 1/2" NPT	3/4" NPT	4150-110-114D	1 1/2" NPT - RH	1 1/4" NPT	138	210	260,50	27	72	38	3/4" BSPP	203,50	89	73	142	70,50	50	93	15				9,60
40	1 1/2" NPT	3/4" NPT	4150-110-115D	1 1/2" NPT - LH	1 1/4" NPT	138	210	260,50	27	72	38	3/4" BSPP	203,50	89	73	142	70,50	50	93	15				9,60
40	1 1/2" NPT	3/4" NPT	4150-110-100D	Ø50	1 1/4" NPT	138	210	260,50		72	38	3/4" BSPP	203,50	89	73	143	70,50		93	15	48	10	16	9,60
40	1 1/2" BSP	3/4" BSP	4150-210-214D	1 1/2" BSP - RH	1 1/4" BSP	138	210	260,50	27	72	38	3/4" BSPP	203,50	89	73	142	70,50	50	93	15				9,60
40	1 1/2" BSP	3/4" BSP	4150-210-215D	1 1/2" BSP - LH	1 1/4" BSP	138	210	260,50	27	72	38	3/4" BSPP	203,50	89	73	142	70,50	50	93	15				9,60
40	1 1/2" BSP	3/4" BSP	4150-210-100D	Ø50	1 1/4" BSP	138	210	260,50		72	38	3/4" BSPP	203,50	89	73	143	70,50		93	15	48	10	16	9,60
50	2" NPT	1" NPT	4200-110-116D	2" NPT - RH	1 1/2" NPT	158	242	242	30	81	49	1" BSPP	235	102	79	159	80	60	112	16				14,65

50	2" NPT	1" NPT	4200-110-117D	2" NPT - LH	1 1/2" NPT	158	242	242	30	81	49	1" BSPP	235	102	79	159	80	60	112	16				14,65
50	2" NPT	1" NPT	4200-110-100D	Ø65	1 1/2" NPT	158	242	242		81	49	1" BSPP	235	102	79	162,50	80		112	16	63	10	16	14,65
50	2" BSP	1" BSP	4200-210-216D	2" BSP - RH	1 1/2" BSP	158	242	242	30	81	49	1" BSPP	235	102	79	159	80	60	112	16				14,65
50	2" BSP	1" BSP	4200-210-217D	2" BSP - LH	1 1/2" BSP	158	242	242	30	81	49	1" BSPP	235	102	79	159	80	60	112	16				14,65
50	2" BSP	1" BSP	4200-210-100D	Ø65	1 1/2" BSP	158	242	242		81	49	1" BSPP	235	102	79	162,50	80		112	16	63	10	16	14,65