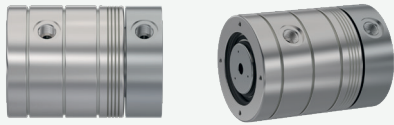
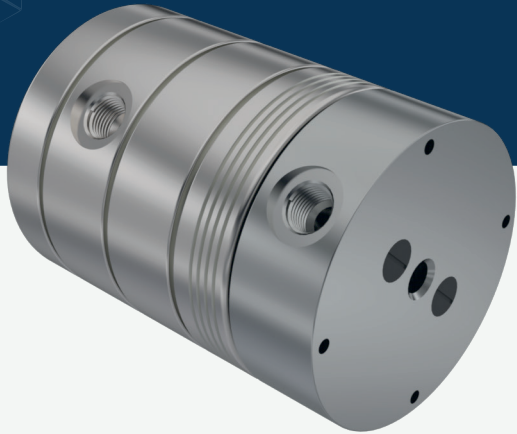


Multiports M4-S2



Multi-passage rotary unions.

Media Type
Hydraulic Oil, Air - Vacuum

Max. Speed
250 RPM

Max. Pressure
250 BAR

Max. Temperature
80 °C

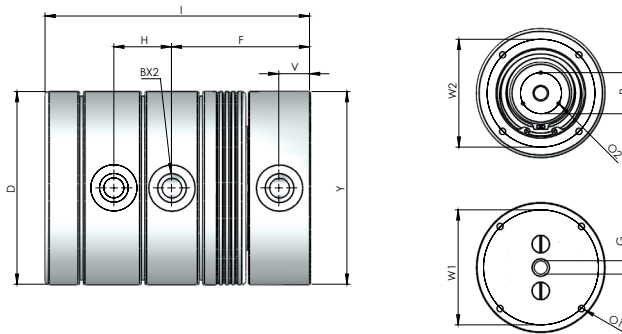
Connection Type
NPT, BSPP, BSPT

Rotor Size
2 x 1/4" - 12 x 3/4"

- ✓ Multi flow design
- ✓ Self supported design
- ✓ Dynamic carbon teflon sealing
- ✓ Special design sealing part for different fluids
- ✓ BSP,NPT metric threads inlet's & outlet's
- ✓ Chrom plated sealing surface
- ✓ Stainless Steel body
- ✓ Custom connections types are available

! Do not operate without fluid.

DIMENSIONS



SIZE	MODEL NO	B	YØ	B2	DØ	F	H	I	V	GØ	W1Ø	W2Ø	RØ	O1	O2	KG
2 X 1/4"	M4-22081-200	1/4" NPT	75	1/4" NPT	75	56,20	23,40	111	10	7	70	61	18	M6X20	M3X10	3,30
2 X 1/4"	M4-22082-200	1/4" BSP	75	1/4" BSP	75	56,20	23,40	111	10	7	70	61	18	M6X20	M3X10	3,30
2 X 1/4"	M4-22083-200	1/4" BSPP	75	1/4" BSPP	75	56,20	23,40	111	10	7	70	61	18	M6X20	M3X10	3,30
2 X 3/8"	M4-22101-200	3/8" NPT	90	3/8" NPT	90	72,70	30	143	15	10	70	80	25	M6X20	M3X10	6,30
2 X 3/8"	M4-22102-200	3/8" BSP	90	3/8" BSP	90	72,70	30	143	15	10	70	80	25	M6X20	M3X10	6,30
2 X 3/8"	M4-22103-200	3/8" BSPP	90	3/8" BSPP	90	72,70	30	143	15	10	70	80	25	M6X20	M3X10	6,30
2 X 1/2"	M4-22151-200	1/2" NPT	125	1/2" NPT	125	89,65	37,40	171,70	20	13	112	105	40	M6X20	M3X10	14,90
2 X 1/2"	M4-22152-200	1/2" BSP	125	1/2" BSP	125	89,65	37,40	171,70	20	13	112	105	40	M6X20	M3X10	14,90
2 X 1/2"	M4-22153-200	1/2" BSPP	125	1/2" BSPP	125	89,65	37,40	171,70	20	13	112	105	40	M6X20	M3X10	14,90
2 X 3/4"	M4-22101-200	3/4" NPT	135	3/4" NPT	135	95,35	43,40	186,40	20	18	115	115	45	M8X20	M4X10	18,35
2 X 3/4"	M4-22102-200	3/4" BSP	135	3/4" NPT	135	95,35	43,40	186,40	20	18	115	115	45	M8X20	M4X10	18,35
2 X 3/4"	M4-22103-200	3/4" BSPP	135	3/4" NPT	135	95,35	43,40	186,40	20	18	115	115	45	M8X20	M4X10	18,35

2 X 1"	M4-22251-200	1" NPT	150	1" NPT	150	109,35	50,40	214,10	25	22	130	132	55	M10X50	M10X20	25,30
2 X 1"	M4-22252-200	1" BSP	150	1" BSP	150	109,35	50,40	214,10	25	22	130	132	55	M10X50	M10X20	25,30
2 X 1"	M4-22253-200	1" BSPP	150	1" BSPP	150	109,35	50,40	214,10	25	22	130	132	55	M10X50	M10X20	25,30