

Swivel Joint

# E2-FFS5 Series

Media Type  
**Hydraulic Oil,  
Water + General Purpose**

Max. Speed  
**20 RPM**

Max. Pressure  
**100-200 BAR**

Max. Temperature  
**120 °C**

Connection Type  
**FL**

Rotor Size  
**3/4" DN20 - 8" DN200**

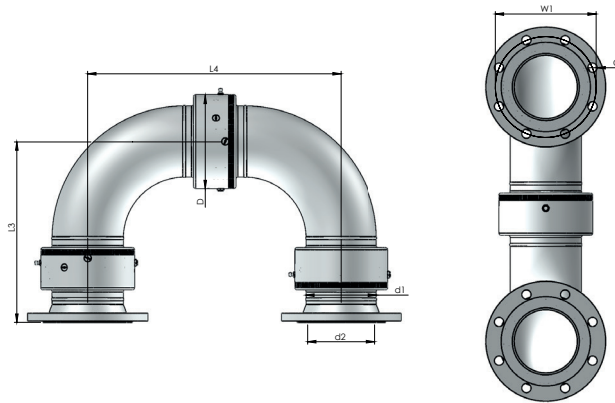


Swivel Joint for water, hydraulic oil, gress and chemical fluids

- ✓ Single flow design, vertical rotation
- ✓ Stainless steel material
- ✓ Hardened inner sealing surface
- ✓ Special design sealing components
- ✓ Easy changable repair parts
- ✓ All flage types are aviable DIN, ANSI etc..

 Do not operate without fluid.

## DIMENSIONS



SIZE	MODEL NO	DØ	L3	L4	d1Ø	d2Ø	W1Ø	OØ	KG
20	E2 - FF5-020	72	142	133	26,90	21,10	75	14 X 4	6,36
25	E2 - FF5-025	78	149	146	33,70	27,30	85	14 X 4	7,42
32	E2 - FF5-032	88	193	201	42,40	35,20	100	18 X 4	12,68
40	E2 - FF5-040	100	204	219	48,30	36,90	110	18 X 4	17,01
50	E2 - FF5-050	118	221	252	60,30	48,50	125	18 X 4	22,22
65	E2 - FF5-065	133	250	300	76,10	59	145	18 X 8	31,22
80	E2 - FF5-080	139	275	340	88,90	82,50	160	18 X 8	31,52
100	E2 - FF5-100	175	314	414	114,30	107,10	180	18 X 8	47,22
125	E2 - FF5-125	199	385	520	139,70	131,70	210	18 X 8	71,22
150	E2 - FF5-150	222	429	603	168,30	159,30	240	22 X 8	87
200	E2 - FF5-200	288	547	790	219,10	207,30	295	22 X 12	154,97