

Rotary Joint

9000HO-T3 Series

Media Type
Hot Oil

Max. Speed
400 RPM

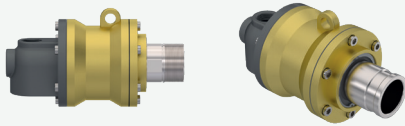
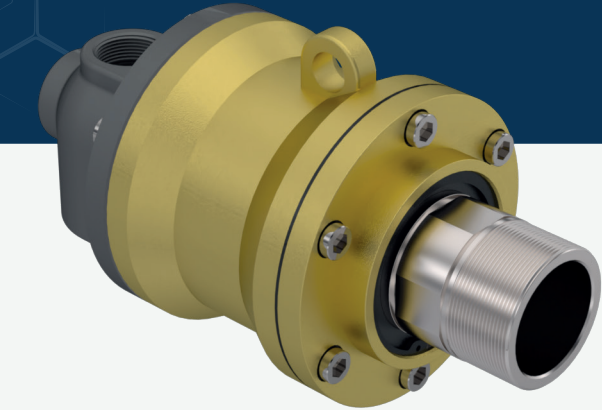
Max. Pressure
7 BAR

Max. Temperature
280 °C

Connection Type

BSPP, BSPT, NPT, FL, Metric 2 1/2" DN65 - 4" DN100

Rotor Size

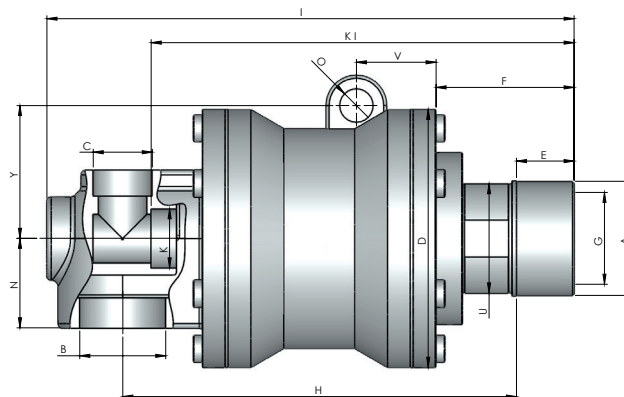


Rotary Joint for steam

- ✓ Single & duoflow design
- ✓ Nodular casting housing
- ✓ Stainless steel shaft and inner components
- ✓ Carbon Graphite sealing parts
- ✓ Stationary or rotating siphon system
- ✓ Threaded, Qr & flanged connection

⚠ Do not operate without fluid.

DIMENSIONS



50	1 1/2" NPT	S9201-3120-0000-20	2" NPT - LH	1" NPT	124	287	30	81	1" BSPP	222	49	212	37,50	47	69	60	18				8,50
50	1 1/2" NPT	S9201-3120-0000-70	Ø65	1" NPT	124	287		81	1" BSPP	222	49	212	37,50	47	69		18	63	10	16	8,50
50	1 1/2" BSP	S9201-3220-0000-30	2" BSP - RH	1" BSP	124	287	30	81	1" BSPP	222	49	212	37,50	47	69	60	18				8,50
50	1 1/2" BSP	S9201-3220-0000-40	2" BSP - RH	1" BSP	124	287	30	81	1" BSPP	222	49	212	37,50	47	69	60	18				8,50
50	1 1/2" BSP	S9201-3220-0000-70	Ø65	1" BSP	124	287		81	1" BSPP	222	49	212	37,50	47	69		18	63	10	16	8,50
65	2" NPT	S9251-3125-0000-10	2 1/2" NPT - RH	1 1/4" NPT	170	347,50	38	91	1 1/4" BSPP	279	60,50	259,50	52,50	59	87,50	72	22				19,25
65	2" NPT	S9251-3125-0000-20	2 1/2" NPT - LH	1 1/4" NPT	170	347,50	38	91	1 1/4" BSPP	279	60,50	259,50	52,50	59	87,50	72	22				19,25
65	2" NPT	S9251-3125-0000-70	Ø65	1 1/4" NPT	170	347,50		91	1 1/4" BSPP	279	60,50	269,50	52,50	59	87,50		22	72	10	18	19,25
65	2" BSP	S9251-3225-0000-30	2 1/2" BSP - RH	1 1/4" BSP	170	347,50	38	91	1 1/4" BSPP	279	60,50	259,50	52,50	59	87,50	72	22				19,25
65	2" BSP	S9251-3225-0000-40	2 1/2" BSP - RH	1 1/4" BSP	170	347,50	38	91	1 1/4" BSPP	279	60,50	259,50	52,50	59	87,50	72	22				19,25
65	2" BSP	S9251-3225-0000-70	Ø65	1 1/4" BSP	170	347,50		91	1 1/4" BSPP	279	60,50	269,50	52,50	59	87,50		22	72	10	18	19,25
80	2 1/2" NPT	S9301-3130-0000-10	3" NPT - RH	1 1/2" NPT	190	403	44	118	1 1/2" BSPP	313	73	299	61,50	68	105	85,70	28				27,30
80	2 1/2" NPT	S9301-3130-0000-20	3" NPT - LH	1 1/2" NPT	190	403	44	118	1 1/2" BSPP	313	73	299	61,50	68	105	85,70	28				27,30
80	2 1/2" NPT	S9301-3130-0000-70	Ø87,3	1 1/2" NPT	190	389		118	1 1/2" BSPP	299	73	276	61,50	68	105		28	84	22	31	27,30
80	2 1/2" BSP	S9301-3230-0000-30	3" BSP - RH	1 1/2" BSP	190	403	44	118	1 1/2" BSPP	313	73	299	61,50	68	105	85,70	28				27,30
80	2 1/2" BSP	S9301-3230-0000-40	3" BSP - RH	1 1/2" BSP	190	403	44	118	1 1/2" BSPP	313	73	299	61,50	68	105	85,70	28				27,30
80	2 1/2" BSP	S9301-3230-0000-70	Ø87,3	1 1/2" BSP	190	389		118	1 1/2" BSPP	299	73	276	61,50	68	105		28	84	22	31	27,30
100	3" NPT	S9401-3140-0000-10	4" NPT - RH	2" NPT	240	497	40	143	2" BSPP	396	98	387	69	90	127,50	115	28				51,80
100	3" NPT	S9401-3140-0000-20	4" NPT - LH	2" NPT	240	497	40	143	2" BSPP	396	98	387	69	90	127,50	115	28				51,80
100	3" NPT	S9401-3140-0000-70	Ø114	2" NPT	240	497		143	2" BSPP	393	98	387	69	90	127,50		28	110	12	22	51,80
100	3" BSP	S9401-3240-0000-30	4" BSP - RH	2" BSP	240	497	40	143	2" BSPP	396	98	387	69	90	127,50	115	28				51,80
100	3" BSP	S9401-3240-0000-40	4" BSP - RH	2" BSP	240	497	40	143	2" BSPP	396	98	387	69	90	127,50	115	28				51,80
100	3" BSP	S9401-3240-0000-70	Ø114	2" BSP	240	497		143	2" BSPP	393	98	387	69	90	127,50		28	110	12	22	51,80