

Swivel Joint

# E7-ED90S Series

Media Type  
**Hydraulic Oil,  
Water + General Purpose**

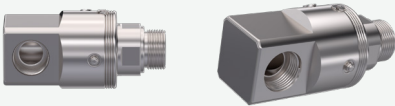
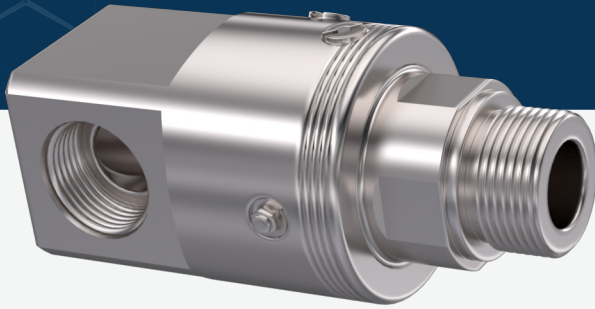
Max. Speed  
**20 RPM**

Max. Pressure  
**300 BAR**

Max. Temperature  
**120 °C**

Connection Type  
**BSP, BSPP, NPT, Metric**

Rotor Size  
**1/4" DN08 - 1 1/2" DN40**

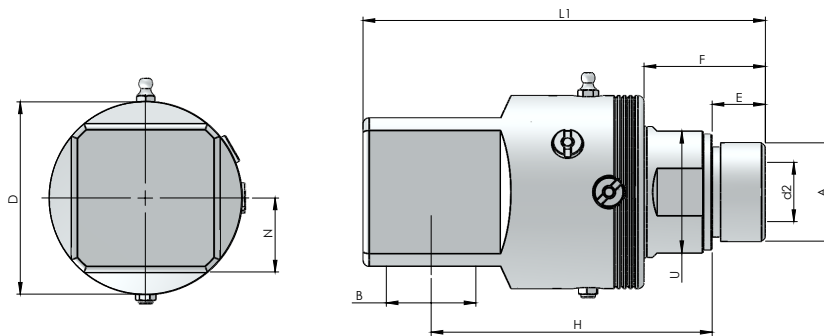


Swivel Joint for water, hydraulic oil, gress and chemical fluids

- ✓ Single flow design,
- ✓ Stainless steel material
- ✓ Hardened inner sealing surface
- ✓ Special design sealing components
- ✓ Easy changable repair parts
- ✓ BSP, BSPP, NPT, UNF, Metric threads...

Do not operate without fluid.

## DIMENSIONS



| SIZE       | MODEL NO          | A          | DØ | L1  | E  | F  | d2Ø | H     | N  | U  | KG   |
|------------|-------------------|------------|----|-----|----|----|-----|-------|----|----|------|
| 1/4" BSP   | E7 - ED90-008-304 | 1/4" BSP   | 40 | 96  | 13 | 30 | 7   | 69,50 | 20 | 22 | 0,60 |
| 3/8" BSP   | E7 - ED90-010-304 | 3/8" BSP   | 40 | 96  | 13 | 30 | 9   | 69,50 | 20 | 22 | 0,57 |
| 1/2" BSP   | E7 - ED90-015-304 | 1/2" BSP   | 50 | 109 | 14 | 31 | 12  | 80    | 20 | 27 | 0,95 |
| 3/4" BSP   | E7 - ED90-020-304 | 3/4" BSP   | 60 | 125 | 16 | 36 | 14  | 90    | 24 | 32 | 1,64 |
| 1" BSP     | E7 - ED90-025-304 | 1" BSP     | 65 | 136 | 18 | 41 | 20  | 95    | 25 | 41 | 2,03 |
| 1 1/4" BSP | E7 - ED90-032-304 | 1 1/4" BSP | 75 | 171 | 20 | 43 | 25  | 122   | 31 | 50 | 3,75 |
| 1 1/2" BSP | E7 - ED90-040-304 | 1 1/2" BSP | 80 | 180 | 22 | 50 | 32  | 80    | 35 | 55 | 4,32 |