

Multiports

M1-C10

Media Type
Hydraulic Oil, Air - Vacuum

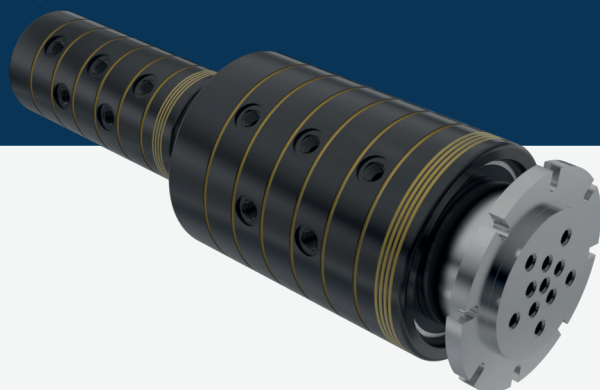
Max. Speed
250 RPM

Max. Pressure
250 BAR

Max. Temperature
80 °C

Connection Type
NPT, BSPP, BSPT

Rotor Size
2 x 1/4" - 12 x 3/4"

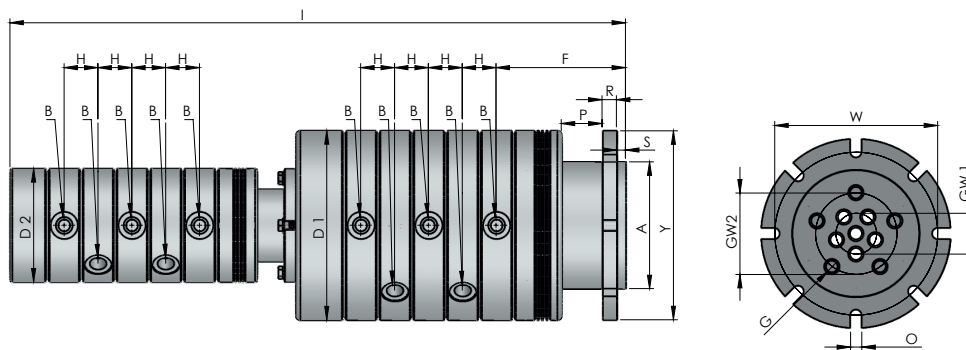


- ✓ Multi flow design
- ✓ Self supported sealing
- ✓ Dynamic carbon teflon sealing
- ✓ Special design sealing part for different fluids
- ✓ Flanged shaft
- ✓ Chrom plated sealing surface
- ✓ Carbon steel body
- ✓ Anti corrosion plated body
- ✓ Custom connections types are available

Multi-passage rotary unions

! Do not operate without fluid.

DIMENSIONS



SIZE	MODEL NO	B	Y Ø	A Ø	G Ø	D Ø	F	H	I	S	P	R	W	GW	O	KG
10 X 1/4"	M1-110081-200	1/4" NPT	150	90	7	150 / 80	116,50	25,40 / 23,40	478	7	42	12	130	20 / 55	9	33,85
10 X 1/4"	M1-110082-200	1/4" BSP	150	90	7	150 / 80	116,50	25,40 / 23,40	478	7	42	12	130	20 / 56	9	33,85
10 X 1/4"	M1-110083-200	1/4" BSPP	150	90	7	150 / 80	116,50	25,40 / 23,40	478	7	42	12	130	20 / 56	9	33,85
10 X 3/8"	M1-110101-200	3/8" NPT	196	125	10	179 / 108	124	30	558	10	40	15	165	28 / 70	11	60
10 X 3/8"	M1-110102-200	3/8" BSP	196	125	10	179 / 108	124	30	558	10	40	15	165	28 / 70	11	60
10 X 3/8"	M1-110103-200	3/8" BSPP	196	125	10	179 / 108	124	30	558	10	40	15	165	28 / 70	11	60
10 X 1/2"	M1-110151-200	1/2" NPT	209	140	13	109 / 125	143	37,40	680	10	45	16	170	45 / 90	13	97,60
10 X 1/2"	M1-110152-200	1/2" BSP	209	140	13	109 / 125	143	37,40	680	10	45	16	170	45 / 90	13	97,60
10 X 1/2"	M1-110153-200	1/2" BSPP	209	140	13	109 / 125	143	37,40	680	10	45	16	170	45 / 90	13	97,60
10 X 3/4"	M1-110201-200	3/4" NPT	250	178	18	250 / 165	178,40	43,40	795,75	10	75	16	220	60 / 110	13	169,55
10 X 3/4"	M1-110202-200	3/4" BSP	250	178	18	250 / 165	178,40	43,40	795,75	10	75	16	220	60 / 110	13	169,55
10 X 3/4"	M1-110203-200	3/4" BSPP	250	178	18	250 / 165	178,40	43,40	795,75	10	75	16	220	60 / 110	13	169,55