

Multiports M3-C4

Media Type
Hydraulic Oil, Air - Vacuum

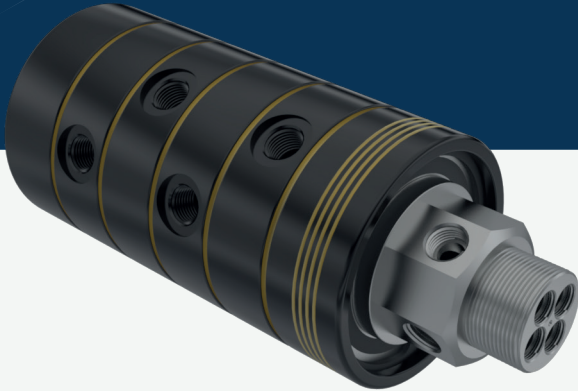
Max. Speed
250 RPM

Max. Pressure
250 BAR

Max. Temperature
80 °C

Connection Type
NPT, BSPP, BSPT

Rotor Size
2 x 1/4" - 12 x 3/4"

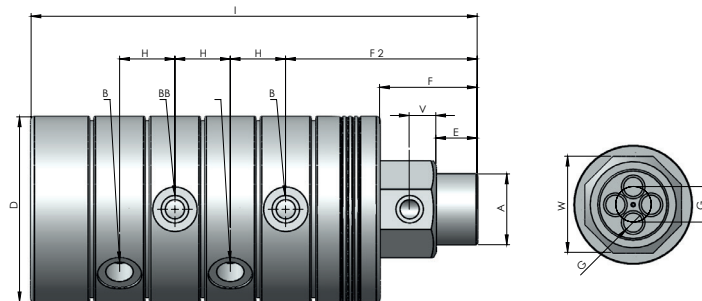


- ✓ Threaded connection
- ✓ Self supported design
- ✓ Dynamic carbon teflon sealing
- ✓ Special design sealing part for different fluids
- ✓ Chrom plated sealing surface
- ✓ Carbon steel body
- ✓ Custom connections types are available

Multi-passageway rotary unions.

! Do not operate without fluid.

DIMENSIONS



| SIZE | MODEL NO | B | A (RH) | GØ | E | F | DØ | I | F 2 | H | V | GWØ | W | KG |
|----------|---------------|-----------|-------------|----|----|----|-----|--------|--------|-------|----|-----|----|-------|
| 4 X 1/4" | M3-14081-2112 | 1/4" NPT | 1 1/4" NPT | 7 | 28 | 66 | 80 | 220,30 | 107 | 23,40 | 17 | 20 | 55 | 6,05 |
| 4 X 1/4" | M3-14082-2212 | 1/4" BSP | 1 1/4" BSP | 7 | 28 | 66 | 80 | 220,30 | 107 | 23,40 | 17 | 20 | 55 | 6,05 |
| 4 X 1/4" | M3-14083-2312 | 1/4" BSPP | 1 1/4" BSPP | 7 | 28 | 66 | 80 | 220,30 | 107 | 23,40 | 17 | 20 | 55 | 6,05 |
| 4 X 3/8" | M3-14101-2112 | 3/8" NPT | 1 1/4" NPT | 10 | 28 | 66 | 98 | 256,50 | 116,20 | 30 | 17 | 20 | 55 | 10,10 |
| 4 X 3/8" | M3-14102-2212 | 3/8" BSP | 1 1/4" BSP | 10 | 28 | 66 | 98 | 256,50 | 116,20 | 30 | 17 | 20 | 55 | 10,10 |
| 4 X 3/8" | M3-14103-2312 | 3/8" BSPP | 1 1/4" BSPP | 10 | 28 | 66 | 98 | 256,50 | 116,20 | 30 | 17 | 20 | 55 | 10,10 |
| 4 X 1/2" | M3-14151-2114 | 1/2" NPT | 1 1/2" NPT | 13 | 28 | 66 | 125 | 301,60 | 129,50 | 37,40 | 18 | 22 | 65 | 20,60 |
| 4 X 1/2" | M3-14152-2214 | 1/2" BSP | 1 1/2" BSP | 13 | 28 | 66 | 125 | 301,60 | 129,50 | 37,40 | 18 | 22 | 65 | 20,60 |
| 4 X 1/2" | M3-14153-2314 | 1/2" BSPP | 1 1/2" BSPP | 13 | 28 | 66 | 125 | 301,60 | 129,50 | 37,40 | 18 | 22 | 65 | 20,60 |