

Rotary Joint

3000PAS-T2 Serisi

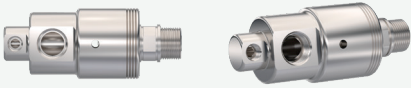
🚰 Akı kan Tipi
Su + Genel Kullanım

🌀 Maks. Hız
750 - 3500 RPM

🌀 Maks. Basınç
50 BAR

🌡️ Maks. Sıcaklık
90 °C

🔧 Ba lantı Tipi
BSP, BSPT, NPT, FL, Metrik 1/4" DN08 - 2" DN50

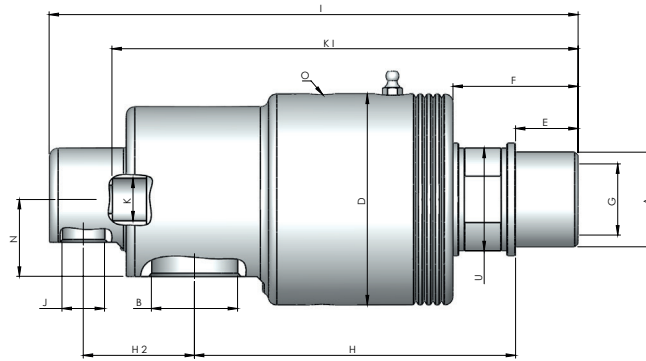


Su ve genel kullanım için döner sızdırmazlık ba lantı

- ✓ Çift hat geçi li
- ✓ Basınç dengeli sızdırmazlık
- ✓ ç destekli balanslı yataklama
- ✓ Silisyum Karbür sızdırmazlıklar
- ✓ Paslanmaz gövde ve a ft
- ✓ Geni ölçü, ba lantı ve di ti pi olana ı

⚠️ Akı kan olmadan çalı tırmayın.

ÖLÇÜLER



BOYUT	B	MODEL NO	A	C	DØ	I	E	F	K	K I	GØ	H	H 2	N	U	OØ	KG
15	1/2" NPT	3050-136-106D	1/2" NPT - RH	1/8" NPT	59	143	19	34	1/8" BSPP	127	13	84	30	21,50	26	6 (2x180°)	1,45
15	1/2" NPT	3050-136-107D	1/2" NPT - LH	1/8" NPT	59	143	19	34	1/8" BSPP	127	13	84	30	21,50	26	6 (2x180°)	1,45
15	1/2" BSP	3050-436-206D	1/2" BSP - RH	1/8" BSP	59	143	19	34	1/8" BSPP	127	13	84	30	21,50	26	6 (2x180°)	1,45
15	1/2" BSP	3050-436-207D	1/2" BSP - LH	1/8" BSP	59	143	19	34	1/8" BSPP	127	13	84	30	21,50	26	6 (2x180°)	1,45
20	3/4" NPT	3075-136-108D	3/4" NPT - RH	3/8" NPT	69	162	19	36	1/4" BSPP	137	17,50	94	34	25	30	7 (2x180°)	2,20
20	3/4" NPT	3075-136-109D	3/4" NPT - LH	3/8" NPT	69	162	19	36	1/4" BSPP	137	17,50	94	34	25	30	7 (2x180°)	2,20
20	3/4" BSP	3075-436-208D	3/4" BSP - RH	3/8" BSP	69	162	19	36	1/4" BSPP	137	17,50	94	34	25	30	7 (2x180°)	2,20
20	3/4" BSP	3075-436-209D	3/4" BSP - LH	3/8" BSP	69	162	19	36	1/4" BSPP	137	17,50	94	34	25	30	7 (2x180°)	2,20
25	1" NPT	3100-136-110D	1" NPT - RH	1/2" NPT	74	186	22	44	3/8" BSPP	164	25	113	39	27	36	8,5 (2x180°)	2,85
25	1" NPT	3100-136-111D	1" NPT - LH	1/2" NPT	74	186	22	44	3/8" BSPP	164	25	113	39	27	36	8,5 (2x180°)	2,85
25	1" BSP	3100-436-210D	1" BSP - RH	1/2" BSP	74	186	22	44	3/8" BSPP	164	25	113	39	27	36	8,5 (2x180°)	2,85
25	1" BSP	3100-436-211D	1" BSP - LH	1/2" BSP	74	186	22	44	3/8" BSPP	164	25	113	39	27	36	8,5 (2x180°)	2,85
32	1 1/4" NPT	3125-136-112D	1 1/4" NPT - RH	1/2" NPT	89	227	28	52	1/2" BSPP	192,50	32	129	52,50	33	46	8,5 (2x180°)	5
32	1 1/4" NPT	3125-136-113D	1 1/4" NPT - LH	1/2" NPT	89	227	28	52	1/2" BSPP	192,50	32	129	52,50	33	46	8,5 (2x180°)	5
32	1 1/4" BSP	3125-436-212D	1 1/4" BSP - RH	1/2" BSP	89	227	28	52	1/2" BSPP	192,50	32	129	52,50	33	46	8,5 (2x180°)	5
32	1 1/4" BSP	3125-436-213D	1 1/4" BSP - LH	1/2" BSP	89	227	28	52	1/2" BSPP	192,50	32	129	52,50	33	46	8,5 (2x180°)	5
40	1 1/2" NPT	3150-136-114D	1 1/2" NPT - RH	3/4" NPT	109	265	30	69,50	3/4" BSPP	227,50	38	159,50	55,50	40	55	8,5 (2x180°)	8,45
40	1 1/2" NPT	3150-136-115D	1 1/2" NPT - LH	3/4" NPT	109	265	30	69,50	3/4" BSPP	227,50	38	159,50	55,50	40	55	8,5 (2x180°)	8,45
40	1 1/2" BSP	3150-436-214D	1 1/2" BSP - RH	3/4" BSP	109	265	30	69,50	3/4" BSPP	227,50	38	159,50	55,50	40	55	8,5 (2x180°)	8,45
40	1 1/2" BSP	3150-436-215D	1 1/2" BSP - LH	3/4" BSP	109	265	30	69,50	3/4" BSPP	227,50	38	159,50	55,50	40	55	8,5 (2x180°)	8,45
50	2" NPT	3200-136-116D	2" NPT - RH	1" NPT	119	298,50	30	63,50	1" BSPP	248,50	48	168,50	74	45	60	10 (2x180°)	12,50
50	2" NPT	3200-136-117D	2" NPT - LH	1" NPT	119	298,50	30	63,50	1" BSPP	248,50	48	168,50	74	45	60	10 (2x180°)	12,50
50	2" BSP	3200-436-216D	2" BSP - RH	1" BSP	119	298,50	30	63,50	1" BSPP	248,50	48	168,50	74	45	60	10 (2x180°)	12,50
50	2" BSP	3200-436-217D	2" BSP - LH	1" BSP	119	298,50	30	63,50	1" BSPP	248,50	48	168,50	74	45	60	10 (2x180°)	12,50