

Swivel Joint

E5-ED Series

Media Type
**Hydraulic Oil,
Water + General Purpose**

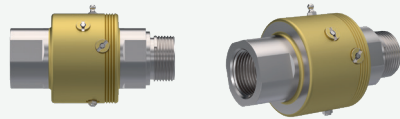
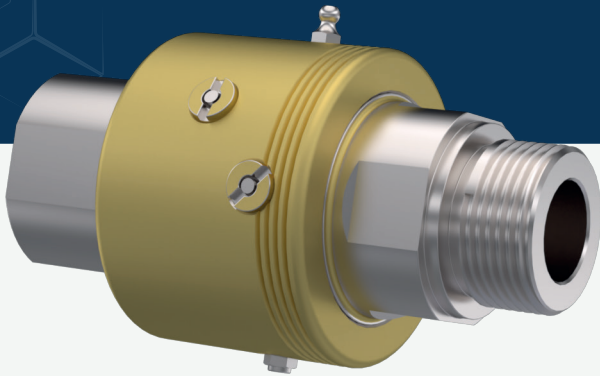
Max. Speed
20 RPM

Max. Pressure
300 BAR

Max. Temperature
120 °C

Connection Type
BSP, BSPP, NPT, Metric

Rotor Size
1/4" DN08 - 1 1/2" DN40

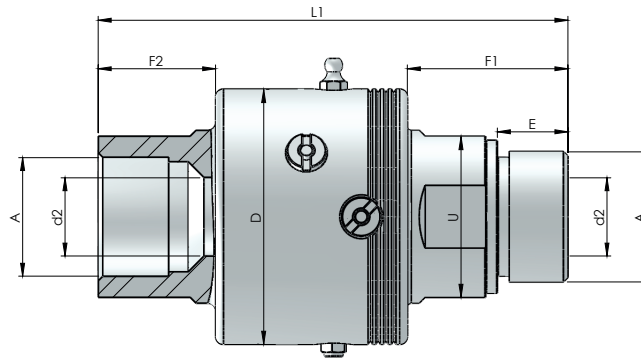


Swivel Joint for water, hydraulic oil, gress and chemical fluids

- ✓ Single flow design,
- ✓ Carbon steel material
- ✓ Hardened inner sealing surface
- ✓ Special design sealing components
- ✓ Easy changable repair parts
- ✓ BSP, BSPP, NPT, UNF, Metric threads...

Do not operate without fluid.

DIMENSIONS



SIZE	MODEL NO	A	DØ	L1	E	F1	F2	d2Ø	U	KG
1/4"	E5 - ED-008-1	1/4" NPT	50	95,50	13	30	33	7	22	0,72
1/4"	E5 - ED-008-2	1/4" BSP	50	95,50	13	30	33	7	22	0,72
1/4"	E5 - ED-008-3	1/4" BSPP	50	95,50	13	30	33	7	22	0,72
3/8"	E5 - ED-010-1	3/8" NPT	50	97	14	31	23	9	22	0,73
3/8"	E5 - ED-010-2	3/8" BSP	50	97	14	31	23	9	22	0,73
3/8"	E5 - ED-010-3	3/8" BSPP	50	97	14	31	23	9	22	0,73
1/2"	E5 - ED-015-1	1/2" NPT	50	99	14	31	25	12	27	0,76
1/2"	E5 - ED-015-2	1/2" BSP	50	99	14	31	25	12	27	0,76
1/2"	E5 - ED-015-3	1/2" BSPP	50	99	14	31	25	12	27	0,76
3/4"	E5 - ED-020-1	3/4" NPT	60	111,50	16	36	26,50	14	32	1,23
3/4"	E5 - ED-020-2	3/4" BSP	60	111,50	16	36	26,50	14	32	1,23
3/4"	E5 - ED-020-3	3/4" BSPP	60	111,50	16	36	26,50	14	32	1,23

1"	E5 - ED-025-1	1" NPT	65	120	18	41	30	20	41	1,54
1"	E5 - ED-025-2	1" BSP	65	120	18	41	30	20	41	1,54
1"	E5 - ED-025-3	1" BSPP	65	120	18	41	30	20	41	1,54
1 1/4"	E5 - ED-032-1	1 1/4" NPT	75	150	20	43	35	25	50	3,03
1 1/4"	E5 - ED-032-2	1 1/4" BSP	75	150	20	43	35	25	50	3,03
1 1/4"	E5 - ED-032-3	1 1/4" BSPP	75	150	20	43	35	25	50	3,03
1 1/2"	E5 - ED-040-1	1 1/2" NPT	80	157,50	22	50	40	32	55	3,14
1 1/2"	E5 - ED-040-2	1 1/2" BSP	80	157,50	22	50	40	32	55	3,14
1 1/2"	E5 - ED-040-3	1 1/2" BSPP	80	157,50	22	50	40	32	55	3,14