

Swivel Joint

E2-FFS2 Series

Media Type
**Hydraulic Oil,
Water + General Purpose**

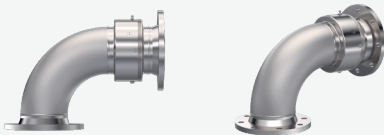
Max. Speed
20 RPM

Max. Pressure
100-200 BAR

Max. Temperature
120 °C

Connection Type
FL

Rotor Size
3/4" DN20 - 8" DN200

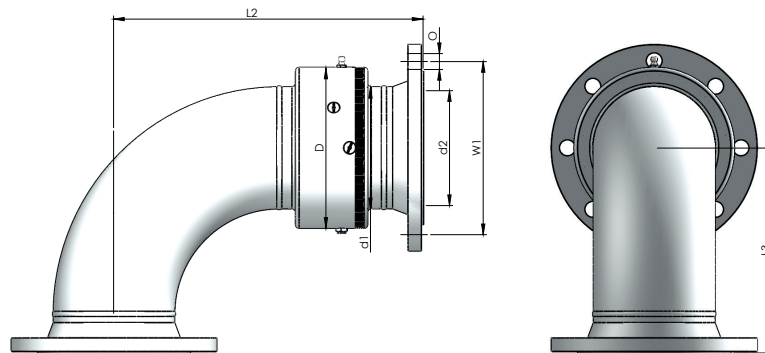


Swivel Joint for water, hydraulic oil, gress and chemical fluids

- ✓ Single flow design, vertical rotation
- ✓ Stainless steel material
- ✓ Hardened inner sealing surface
- ✓ Special design sealing components
- ✓ Easy changable repair parts
- ✓ All flage types are aviable DIN, ANSI etc..

! Do not operate without fluid.

DIMENSIONS



SIZE	MODEL NO	DØ	L2	L3	d1Ø	d2Ø	F	W1Ø	OØ	KG
20	E2 - FF2-020-304	72	142	67	26,90	18	35	75	14 X 4	3,39
25	E2 - FF2-025-304	78	149	73	33,70	27,30	35	85	14 X 4	4,15
32	E2 - FF2-032-304	88	193	88	42,40	35,20	39	100	18 X 4	6,67
40	E2 - FF2-040-304	100	204	99	48,30	36,90	41	110	18 X 4	8,67
50	E2 - FF2-050-304	118	221	121	60,30	48,50	42	125	18 X 4	11,57
65	E2 - FF2-065-304	133	250	140	76,10	59	44,50	145	18 X 8	15,91
80	E2 - FF2-080-304	139	275	164	88,90	82,50	47,50	160	18 X 8	16,75
100	E2 - FF2-100-304	175	314	204	114,30	107,10	49,50	180	18 X 8	23,52
125	E2 - FF2-125-304	199	385	245	139,70	131,70	53	210	18 X 8	34,72
150	E2 - FF2-150-304	222	429	284	168,30	159,30	55,50	240	22 X 8	43,27
200	E2 - FF2-200-304	288	547	367	219,10	207,30	63	295	22 X 12	83,56