

Rotary Joint

# 9000HO-T2 Series

Media Type  
**Hot Oil**

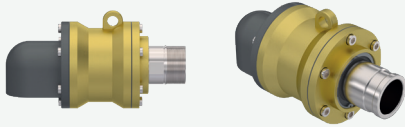
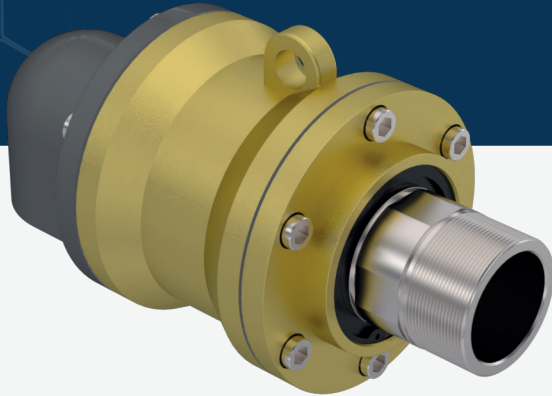
Max. Speed  
**400 RPM**

Max. Pressure  
**7 BAR**

Max. Temperature  
**280 °C**

Connection Type

**BSP, BSPT, NPT, FL, Metric** Rotor Size **2 1/2" DN65 - 4" DN100**

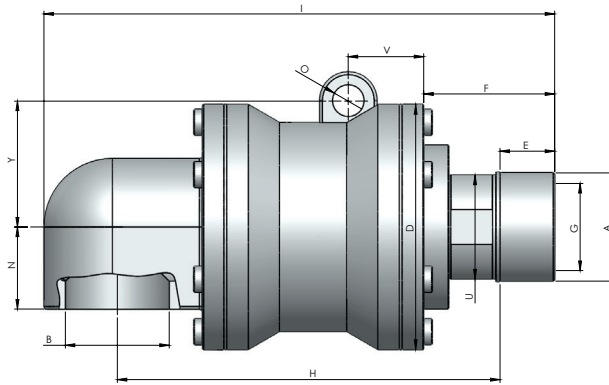


Rotary Joint for steam

- ✓ Single & duoflow design
- ✓ Nodular casting housing
- ✓ Stainless steel shaft and inner components
- ✓ Carbon Graphite sealing parts
- ✓ Stationary or rotating siphon system
- ✓ Threaded, Qr & flanged connection

**!** Do not operate without fluid.

## DIMENSIONS



SIZE	B	MODEL NO	A	D	I	E	F	GØ	H	V	N	Y	U	OØ	LØ	S	T	KG
15	1/2" NPT	S9051-2105-0000-10	1/2" NPT - RH	68	173,50	18	59	13	137	29,50	22	37	22	10				1,75
15	1/2" NPT	S9051-2105-0000-20	1/2" NPT - LH	68	173,50	18	59	13	137	29,50	22	37	22	10				1,75
15	1/2" NPT	S9051-2105-0000-70	Ø24	68	173,50		59	13	137	29,50	22	37		10	22	6	11	1,75
15	1/2" BSP	S9051-2205-0000-30	1/2" BSP - RH	68	173,50	18	59	13	137	29,50	22	37	22	10				1,75
15	1/2" BSP	S9051-2205-0000-40	1/2" BSP - RH	68	173,50	18	59	13	137	29,50	22	37	22	10	22	6	11	1,75
15	1/2" BSP	S9051-2205-0000-70	Ø24	68	173,50		59	13	137	29,50	22	37		10				1,75
20	3/4" NPT	S9071-2107-0000-10	3/4" NPT - RH	74	183	20	62	18	142	29,50	25	40	27	10				2,15
20	3/4" NPT	S9071-2107-0000-20	3/4" NPT - LH	74	183	20	62	18	142	29,50	25	40	27	10				2,15
20	3/4" NPT	S9071-2107-0000-70	Ø30	74	183		62	18	142	29,50	25	40		10	28	8	13	2,15
20	3/4" BSP	S9071-2207-0000-30	3/4" BSP - RH	74	183	20	62	18	142	29,50	25	40	27	10				2,15
20	3/4" BSP	S9071-2207-0000-40	3/4" BSP - RH	74	183	20	62	18	142	29,50	25	40	27	10	28	8	13	2,15
20	3/4" BSP	S9071-2207-0000-70	Ø30	74	183		62	18	142	29,50	25	40		10				2,15

25	1" NPT	S9101-2110-0000-10	1" NPT - RH	80	197	22	64	25	151	29,50	28,50	43	32	10				2,57
25	1" NPT	S9101-2110-0000-20	1" NPT - LH	80	197	22	64	25	151	29,50	28,50	43	32	10				2,57
25	1" NPT	S9101-2110-0000-70	Ø35	80	197		64	25	152	29,50	28,50	43		10	33	8	13	2,57
25	1" BSP	S9101-2210-0000-30	1" BSP - RH	80	197	22	64	25	151	29,50	28,50	43	32	10				2,57
25	1" BSP	S9101-2210-0000-40	1" BSP - RH	80	197	22	64	25	151	29,50	28,50	43	32	10	33	8	13	2,57
25	1" BSP	S9101-2210-0000-70	Ø35	80	197		64	25	152	29,50	28,50	43		10				2,57
32	1 1/4" NPT	S9121-2112-0000-10	1 1/4" NPT - RH	103	230,50	25	73	32	176,50	34,50	35	56	41	14				4,75
32	1 1/4" NPT	S9121-2112-0000-20	1 1/4" NPT - LH	103	230,50	25	73	32	176,50	34,50	35	56	41	14				4,75
32	1 1/4" NPT	S9121-2112-0000-70	Ø45	103	230,50		73	32	176,50	34,50	35	56		14	43	8	17	4,75
32	1 1/4" BSP	S9121-2212-0000-30	1 1/4" BSP - RH	103	230,50	25	73	32	176,50	34,50	35	56	41	14				4,75
32	1 1/4" BSP	S9121-2212-0000-40	1 1/4" BSP - RH	103	230,50	25	73	32	176,50	34,50	35	56	41	14	43	8	17	4,75
32	1 1/4" BSP	S9121-2212-0000-70	Ø45	103	230,50		73	32	176,50	34,50	35	56		14				4,75
40	1 1/2" NPT	S9151-2115-0000-10	1 1/2" NPT - RH	112	243	27	72	38	182	34,50	41	64	50	18				5,85
40	1 1/2" NPT	S9151-2115-0000-20	1 1/2" NPT - LH	112	243	27	72	38	182	34,50	41	64	50	18				5,85
40	1 1/2" NPT	S9151-2115-0000-70	Ø50	112	243		72	38	183	34,50	41	64		18	48	10	16	5,85
40	1 1/2" BSP	S9151-2215-0000-30	1 1/2" BSP - RH	112	243	27	72	38	182	34,50	41	64	50	18				5,85
40	1 1/2" BSP	S9151-2215-0000-40	1 1/2" BSP - RH	112	243	27	72	38	182	34,50	41	64	50	18				5,85
40	1 1/2" BSP	S9151-2215-0000-70	Ø50	112	243		72	38	183	34,50	41	64		18	48	10	16	5,85
50	2" NPT	S9201-2120-0000-10	2" NPT - RH	124	278	30	81	49	206	37,50	47	69	60	18				7,85
50	2" NPT	S9201-2120-0000-20	2" NPT - LH	124	278	30	81	49	206	37,50	47	69	60	18				7,85
50	2" NPT	S9201-2120-0000-70	Ø65	124	278		81	49	210	37,50	47	69		18	63	10	16	7,85
50	2" BSP	S9201-2220-0000-30	2" BSP - RH	124	278	30	81	49	206	37,50	47	69	60	18				7,85
50	2" BSP	S9201-2220-0000-40	2" BSP - RH	124	278	30	81	49	206	37,50	47	69	60	18				7,85
50	2" BSP	S9201-2220-0000-70	Ø65	124	278		81	49	210	37,50	47	69		18	63	10	16	7,85
65	2 1/2" NPT	S9251-2125-0000-10	2 1/2" NPT - RH	170	355	38	91	60,50	266	52,50	57	87,50	72	22				18,80
65	2 1/2" NPT	S9251-2125-0000-20	2 1/2" NPT - LH	170	355	38	91	60,50	266	52,50	57	87,50	72	22				18,80
65	2 1/2" NPT	S9251-2125-0000-70	Ø65	170	355		91	60,50	276	52,50	57	87,50		22	72	10	18	18,80
65	2 1/2" BSP	S9251-2225-0000-30	2 1/2" BSP - RH	170	355	38	91	60,50	266	52,50	57	87,50	72	22				18,80
65	2 1/2" BSP	S9251-2225-0000-40	2 1/2" BSP - RH	170	355	38	91	60,50	266	52,50	57	87,50	72	22				18,80
65	2 1/2" BSP	S9251-2225-0000-70	Ø65	170	355		91	60,50	276	52,50	57	87,50		22	72	10	18	18,80
80	3" NPT	S9301-2130-0000-10	3" NPT - RH	190	405	44	118	73	300	61,50		105	85,70	28				26,55
80	3" NPT	S9301-2130-0000-20	3" NPT - LH	190	405	44	118	73	300	61,50		105	85,70	28				26,55
80	3" NPT	S9301-2130-0000-70	Ø87,3	190	405		118	73	277	61,50		105		28	84	22	31	26,55
80	3" BSP	S9301-2230-0000-30	3" BSP - RH	190	405	44	118	73	300	61,50		105	85,70	28				26,55
80	3" BSP	S9301-2230-0000-40	3" BSP - RH	190	405	44	118	73	300	61,50		105	85,70	28				26,55
80	3" BSP	S9301-2230-0000-70	Ø87,3	190	405		118	73	277	61,50		105		28	84	22	31	26,55
100	4" NPT	S9401-2140-0000-10	4" NPT - RH	240	507	40	143	98	387	69		127,50	115	28				50,65
100	4" NPT	S9401-2140-0000-20	4" NPT - LH	240	507	40	143	98	387	69		127,50	115	28				50,65
100	4" NPT	S9401-2140-0000-70	Ø114	240	507		143	98	393	69		127,50		28	110	12	22	50,65
100	4" BSP	S9401-2240-0000-30	4" BSP - RH	240	507	40	143	98	387	69		127,50	115	28				50,65
100	4" BSP	S9401-2240-0000-40	4" BSP - RH	240	507	40	143	98	387	69		127,50	115	28				50,65
100	4" BSP	S9401-2240-0000-70	Ø114	240	507		143	98	393	69		127,50		28	110	12	22	50,65