

Multiports M4-C6

Media Type
Hydraulic Oil, Air - Vacuum

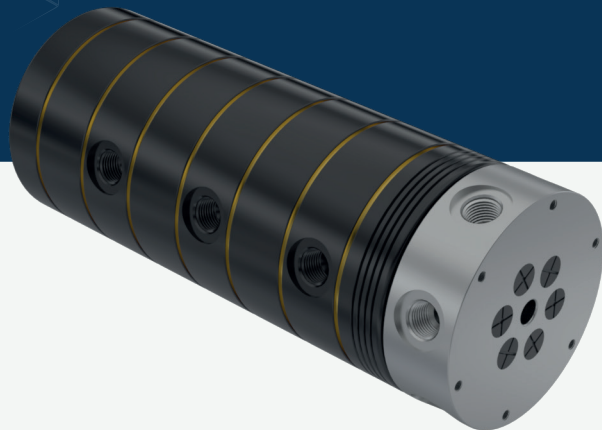
Max. Speed
250 RPM

Max. Pressure
250 BAR

Max. Temperature
80 °C

Connection Type
NPT, BSPP, BSPT

Rotor Size
2 x 1/4" - 12 x 3/4"

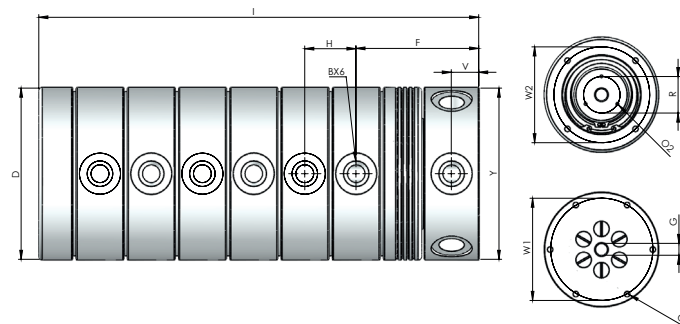


- ✓ Multi flow design
- ✓ Self supported design
- ✓ Dynamic carbon teflon sealing
- ✓ Special design sealing part for different fluids
- ✓ BSP,NPT metric threads inlet's & outlet's
- ✓ Chrom plated sealing surface
- ✓ Carbon Steel body
- ✓ Custom connections types are available

Multi-passage rotary unions.

! Do not operate without fluid.

DIMENSIONS



SIZE	MODEL NO	B	YØ	B2	DØ	F	H	I	V	GØ	W1Ø	W2Ø	RØ	O1	O2	KG
6 X 1/4"	M4-16081-200	1/4" NPT	75	1/4" NPT	75	56,20	23,40	204,65	10	7	70	61	18	M6X20	M3X10	5,85
6 X 1/4"	M4-16082-200	1/4" BSP	75	1/4" BSP	75	56,20	23,40	204,65	10	7	70	61	18	M6X20	M3X10	5,85
6 X 1/4"	M4-16083-200	1/4" BSPP	75	1/4" BSPP	75	56,20	23,40	204,65	10	7	70	61	18	M6X20	M3X10	5,85
6 X 3/8"	M4-16101-200	3/8" NPT	110	3/8" NPT	110	72,70	30	265,55	15	10	100	95	35	M6X20	M3X10	17,35
6 X 3/8"	M4-16102-200	3/8" BSP	110	3/8" BSP	110	72,70	30	265,55	15	10	100	95	35	M6X20	M3X10	17,35
6 X 3/8"	M4-16103-200	3/8" BSPP	110	3/8" BSPP	110	72,70	30	265,55	15	10	100	95	35	M6X20	M3X10	17,35
6 X 1/2"	M4-16151-200	1/2" NPT	125	1/2" NPT	125	89,65	37,40	321,30	20	13	112	105	40	M6X20	M3X10	26,50
6 X 1/2"	M4-16152-200	1/2" BSP	125	1/2" NPT	125	89,65	37,40	321,30	20	13	112	105	40	M6X20	M3X10	26,50
6 X 1/2"	M4-16153-200	1/2" BSPP	125	1/2" NPT	125	89,65	37,40	321,30	20	13	112	105	40	M6X20	M3X10	26,50
6 x 3/4"	M4-16201-200	3/4" NPT	180	3/4" NPT	180	99,35	43,40	370,70	20	18	160	160	70	M8X20	M4X10	64,35
6 x 3/4"	M4-16202-200	3/4" BSP	180	3/4" NPT	180	99,35	43,40	370,70	20	18	160	160	70	M8X20	M4X10	64,35
6 x 3/4"	M4-16203-200	3/4" BSPP	180	3/4" NPT	180	99,35	43,40	370,70	20	18	160	160	70	M8X20	M4X10	64,35
6 X 1"	M4-16251-200	1" NPT	200	1" NPT	200	115,35	50,40	427,20	25	22	180	180	65	M10X50	M10X20	89
6 X 1"	M4-16252-200	1" BSP	200	1" NPT	200	115,35	50,40	427,20	25	22	180	180	65	M10X50	M10X20	89
6 X 1"	M4-16253-200	1" BSPP	200	1" NPT	200	115,35	50,40	427,20	25	22	180	180	65	M10X50	M10X20	89