

Multiports

# M3-SR4

Media Type  
**Hydraulic Oil, Air - Vacuum**

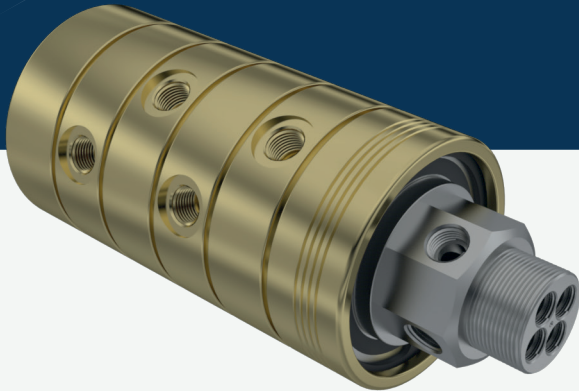
Max. Speed  
**250 RPM**

Max. Pressure  
**250 BAR**

Max. Temperature  
**80 °C**

Connection Type  
**NPT, BSPP, BSPT**

Rotor Size  
**2 x 1/4" - 12 x 3/4"**

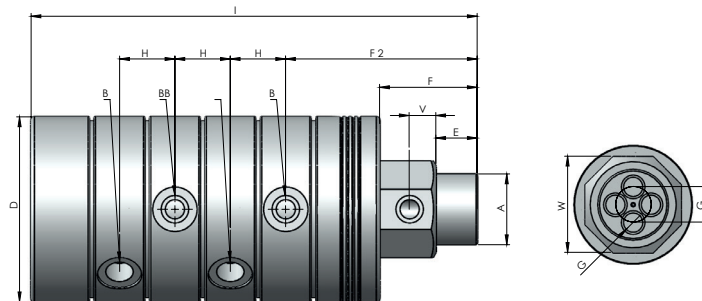


- ✓ Threaded connection
- ✓ Self supported design
- ✓ Dynamic carbon teflon sealing
- ✓ Special design sealing part for different fluids
- ✓ Chrom plated sealing surface
- ✓ Brass body
- ✓ Custom connections types are available

Multi-passageway rotary unions.

**!** Do not operate without fluid.

## DIMENSIONS



SIZE	MODEL NO	B	A (RH)	GØ	E	F	DØ	I	F 2	H	V	GWØ	W	KG
4 X 1/4"	M3-44081-2112	1/4" NPT	1 1/4" NPT	7	28	66	80	220,30	107	23,40	17	20	55	6,40
4 X 1/4"	M3-44082-2212	1/4" BSP	1 1/4" BSP	7	28	66	80	220,30	107	23,40	17	20	55	6,40
4 X 1/4"	M3-44083-2312	1/4" BSPP	1 1/4" BSPP	7	28	66	80	220,30	107	23,40	17	20	55	6,40
4 X 3/8"	M3-44101-2112	3/8" NPT	1 1/4" NPT	10	28	66	98	256,50	116,20	30	17	20	55	11,20
4 X 3/8"	M3-44102-2212	3/8" BSP	1 1/4" BSP	10	28	66	98	256,50	116,20	30	17	20	55	11,20
4 X 3/8"	M3-44103-2312	3/8" BSPP	1 1/4" BSPP	10	28	66	98	256,50	116,20	30	17	20	55	11,20
4 X 1/2"	M3-44151-2114	1/2" NPT	1 1/2" NPT	13	28	66	125	301,60	129,50	37,40	18	22	65	21,70
4 X 1/2"	M3-44152-2214	1/2" BSP	1 1/2" BSP	13	28	66	125	301,60	129,50	37,40	18	22	65	21,70
4 X 1/2"	M3-44153-2314	1/2" BSPP	1 1/2" BSPP	13	28	66	125	301,60	129,50	37,40	18	22	65	21,70