

Rotary Joint

9000S-T1 Serisi

🚰 Akı kan Tipi
Buhar

🌀 Maks. Hız
400 RPM

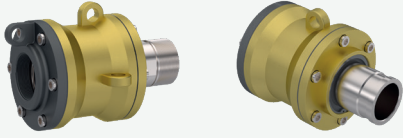
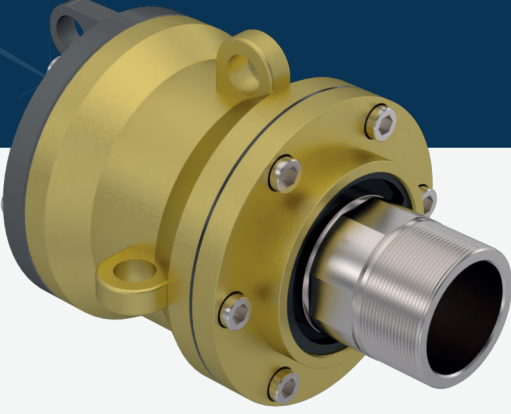
🌀 Maks. Basınç
17 BAR

🌡️ Maks. Sıcaklık
180 °C

🔧 Ba lantı Tipi

🌀 Rotor Ölçüsü

BSP, BSPT, NPT, FL, Metrik 2 1/2" DN65 - 4" DN100

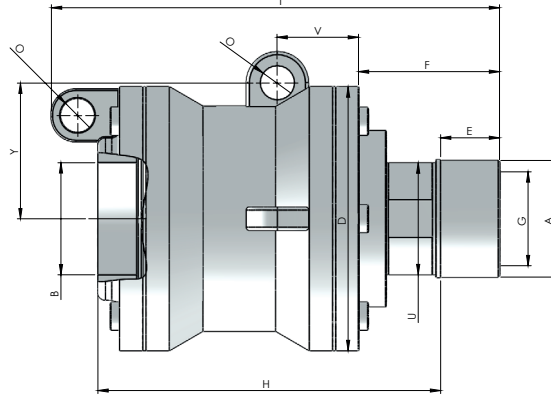


Buhar için sızdırmazlık ba lantı

- ✓ Tek ve Çift hat geçi li
- ✓ ç destekli sızdırmazlık ve yataklama
- ✓ Paslanmaz çelik a ft ve iç aksam
- ✓ Sfero döküm yüksek kalite gövde
- ✓ Karbon grafit (Reçineli, Antimuanlı) konik sızdırmazlıklar
- ✓ Geni ölçü, ba lantı ve di tipli olana ı

⚠️ Akı kan olmadan çalı tırmayın.

ÖLÇÜLER



BOYUT	B	MODEL NO	A	D	I	E	F	GØ	H	V	Y	U	OØ	LØ	S	T	KG
15	1/2" NPT	S9050-1105-0000-10	1/2" NPT - RH	68	157	18	59	13	123	29,50	37	22	10				1,65
15	1/2" NPT	S9050-1105-0000-20	1/2" NPT - LH	68	157	18	59	13	123	29,50	37	22	10				1,65
15	1/2" NPT	S9050-1105-0000-70	Ø24	68	157		59	13	123	29,50	37		10	22	6	11	1,65
15	1/2" BSP	S9050-1205-0000-30	1/2" BSP - RH	68	157	18	59	13	123	29,50	37	22	10				1,65
15	1/2" BSP	S9050-1205-0000-40	1/2" BSP - RH	68	157	18	59	13	123	29,50	37	22	10	22	6	11	1,65
15	1/2" BSP	S9050-1205-0000-70	Ø24	68	157		59	13	123	29,50	37		10				1,65
20	3/4" NPT	S9070-1107-0000-10	3/4" NPT - RH	74	161	20	62	18	125	29,50	40	27	10				1,95
20	3/4" NPT	S9070-1107-0000-20	3/4" NPT - LH	74	161	20	62	18	125	29,50	40	27	10				1,95
20	3/4" NPT	S9070-1107-0000-70	Ø30	74	161		62	18	125	29,50	40		10	28	8	13	1,95
20	3/4" BSP	S9070-1207-0000-30	3/4" BSP - RH	74	161	20	62	18	125	29,50	40	27	10				1,95
20	3/4" BSP	S9070-1207-0000-40	3/4" BSP - RH	74	161	20	62	18	125	29,50	40	27	10	28	8	13	1,95
20	3/4" BSP	S9070-1207-0000-70	Ø30	74	161		62	18	125	29,50	40		10				1,95

25	1" NPT	S9100-1110-0000-10	1" NPT - RH	80	169	22	64	25	131	29,50	43	32	10				2,27
25	1" NPT	S9100-1110-0000-20	1" NPT - LH	80	169	22	64	25	131	29,50	43	32	10				2,27
25	1" NPT	S9100-1110-0000-70	Ø35	80	169		64	25	132	29,50	43		10	33	8	13	2,27
25	1" BSP	S9100-1210-0000-30	1" BSP - RH	80	169	22	64	25	131	29,50	43	32	10				2,27
25	1" BSP	S9100-1210-0000-40	1" BSP - RH	80	169	22	64	25	131	29,50	43	32	10	33	8	13	2,27
25	1" BSP	S9100-1210-0000-70	Ø35	80	169		64	25	132	29,50	43		10				2,27
32	1 1/4" NPT	S9120-1112-0000-10	1 1/4" NPT - RH	103	197	25	73	32	154	34,50	56	41	14				4,25
32	1 1/4" NPT	S9120-1112-0000-20	1 1/4" NPT - LH	103	197	25	73	32	154	34,50	56	41	14				4,25
32	1 1/4" NPT	S9120-1112-0000-70	Ø45	103	197		73	32	154	34,50	56		14	43	8	17	4,25
32	1 1/4" BSP	S9120-1212-0000-30	1 1/4" BSP - RH	103	197	25	73	32	154	34,50	56	41	14				4,25
32	1 1/4" BSP	S9120-1212-0000-40	1 1/4" BSP - RH	103	197	25	73	32	154	34,50	56	41	14	43	8	17	4,25
32	1 1/4" BSP	S9120-1212-0000-70	Ø45	103	197		73	32	154	34,50	56		14				4,25
40	1 1/2" NPT	S9150-1115-0000-10	1 1/2" NPT - RH	112	208	27	72	38	158	34,50	64	50	18				5,20
40	1 1/2" NPT	S9150-1115-0000-20	1 1/2" NPT - LH	112	208	27	72	38	158	34,50	64	50	18				5,20
40	1 1/2" NPT	S9150-1115-0000-70	Ø50	112	208		72	38	159	34,50	64		18	48	10	16	5,20
40	1 1/2" BSP	S9150-1215-0000-30	1 1/2" BSP - RH	112	208	27	72	38	158	34,50	64	50	18				5,20
40	1 1/2" BSP	S9150-1215-0000-40	1 1/2" BSP - RH	112	208	27	72	38	158	34,50	64	50	18				5,20
40	1 1/2" BSP	S9150-1215-0000-70	Ø50	112	208		72	38	159	34,50	64		18	48	10	16	5,20
50	2" NPT	S9200-1120-0000-10	2" NPT - RH	124	232	30	81	49	176	37,50	69	60	18				6,75
50	2" NPT	S9200-1120-0000-20	2" NPT - LH	124	232	30	81	49	176	37,50	69	60	18				6,75
50	2" NPT	S9200-1120-0000-70	Ø65	124	232		81	49	176	37,50	69		18	63	10	16	6,75
50	2" BSP	S9200-1220-0000-30	2" BSP - RH	124	232	30	81	49	176	37,50	69	60	18				6,75
50	2" BSP	S9200-1220-0000-40	2" BSP - RH	124	232	30	81	49	176	37,50	69	60	18				6,75
50	2" BSP	S9200-1220-0000-70	Ø65	124	232		81	49	176	37,50	69		18	63	10	16	6,75
65	2 1/2" NPT	S9250-1125-0000-10	2 1/2" NPT - RH	170	289	38	91	60,50	221	52,50	87,50	72	22				16,90
65	2 1/2" NPT	S9250-1125-0000-20	2 1/2" NPT - LH	170	289	38	91	60,50	221	52,50	87,50	72	22				16,90
65	2 1/2" NPT	S9250-1125-0000-70	Ø65	170	289		91	60,50	231	52,50	87,50		22	72	10	18	16,90
65	2 1/2" BSP	S9250-1225-0000-30	2 1/2" BSP - RH	170	289	38	91	60,50	221	52,50	87,50	72	22				16,90
65	2 1/2" BSP	S9250-1225-0000-40	2 1/2" BSP - RH	170	289	38	91	60,50	221	52,50	87,50	72	22				16,90
65	2 1/2" BSP	S9250-1225-0000-70	Ø65	170	289		91	60,50	231	52,50	87,50		22	72	10	18	16,90
80	3" NPT	S9300-1130-0000-10	3" NPT - RH	190	329	44	118	73	248	61,50	105	85,70	28				23
80	3" NPT	S9300-1130-0000-20	3" NPT - LH	190	329	44	118	73	248	61,50	105	85,70	28				23
80	3" NPT	S9300-1130-0000-70	Ø87,3	190	329		118	73	248	61,50	105		28	84	22	31	23
80	3" BSP	S9300-1230-0000-30	3" BSP - RH	190	329	44	118	73	248	61,50	105	85,70	28				23
80	3" BSP	S9300-1230-0000-40	3" BSP - RH	190	329	44	118	73	248	61,50	105	85,70	28				23
80	3" BSP	S9300-1230-0000-70	Ø87,3	190	329		118	73	248	61,50	105		28	84	22	31	23
100	4" NPT	S9400-1140-0000-10	4" NPT - RH	240	398	40	143	98	321	69	127,50	115	28				43,30
100	4" NPT	S9400-1140-0000-20	4" NPT - LH	240	398	40	143	98	321	69	127,50	115	28				43,30
100	4" NPT	S9400-1140-0000-70	Ø114	240	398		143	98	327	69	127,50		28	110	12	22	43,30
100	4" BSP	S9400-1240-0000-30	4" BSP - RH	240	398	40	143	98	321	69	127,50	115	28				43,30
100	4" BSP	S9400-1240-0000-40	4" BSP - RH	240	398	40	143	98	321	69	127,50	115	28				43,30
100	4" BSP	S9400-1240-0000-70	Ø114	240	398		143	98	327	69	127,50		28	110	12	22	43,30