

Multiports

M2-SR8

Media Type
Hydraulic Oil, Air - Vacuum

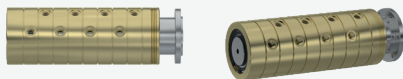
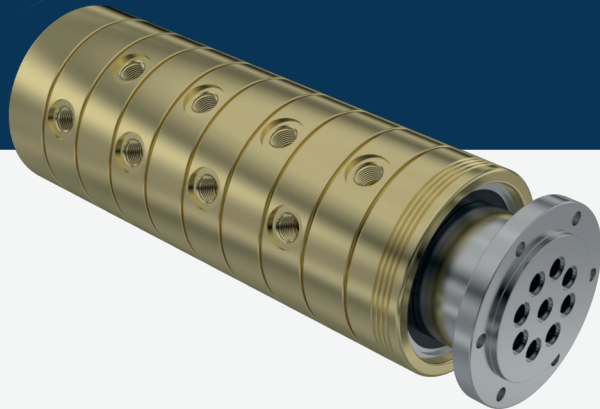
Max. Speed
250 RPM

Max. Pressure
250 BAR

Max. Temperature
80 °C

Connection Type
NPT, BSPP, BSPT

Rotor Size
2 x 1/4" - 12 x 3/4"

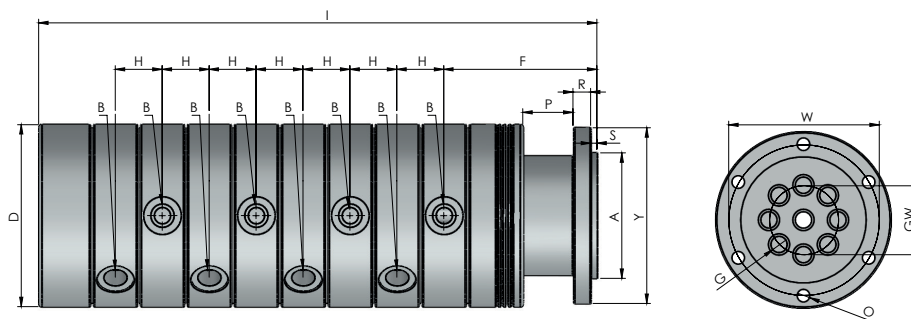


- ✓ Multi flow design
- ✓ Self supported design
- ✓ Dynamic carbon teflon sealing
- ✓ Special design sealing part for different fluids
- ✓ Flanged shaft
- ✓ Chrom plated sealing surface
- ✓ For low-quality fluids
- ✓ Custom connections types are available

Multi-passage rotary unions.

! Do not operate without fluid.

DIMENSIONS



SIZE	MODEL NO	B	Y Ø	A Ø	G Ø	D Ø	F	H	I	S	P	R	W	GW	O	KG
8 X 1/4"	M2-48081-200	1/4" NPT	108	70	7	108	95	25,40	321,50	3	35	8	70	38	9	19,40
8 X 1/4"	M2-48082-200	1/4" BSP	108	70	7	108	95	25,40	321,50	3	35	8	70	38	9	19,40
8 X 1/4"	M2-48083-200	1/4" BSPP	108	70	7	108	95	25,40	321,50	3	35	8	70	38	9	19,40
8 X 3/8"	M2-48101-200	3/8" NPT	125	90	10	125	93,50	30	357,50	5	22	12	106	45	9	30,10
8 X 3/8"	M2-48102-200	3/8" BSP	125	90	10	125	93,50	30	357,50	5	22	12	106	45	9	30,10
8 X 3/8"	M2-48103-200	3/8" BSPP	125	90	10	125	93,50	30	357,50	5	22	12	106	45	9	30,10
8 X 1/2"	M2-48151-500	1/2" NPT	140	100	13	145	122	37,40	445	5	40	14	120	55	10	48,90
8 X 1/2"	M2-48152-200	1/2" BSP	140	100	13	145	122	37,40	445	5	40	14	120	55	10	48,90
8 X 1/2"	M2-48153-200	1/2" BSPP	140	100	13	145	122	37,40	445	5	40	14	120	55	10	48,90