

# Multiports M2-S12

Media Type  
**Hydraulic Oil, Air - Vacuum**

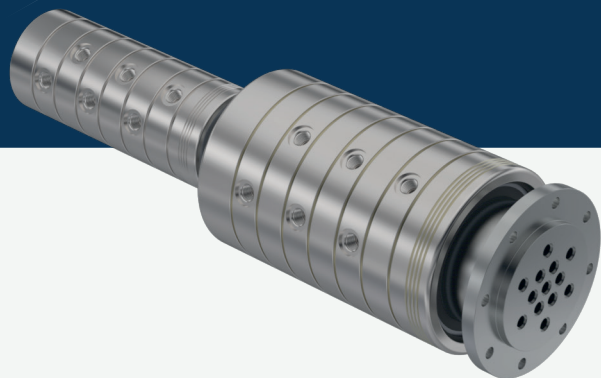
Max. Speed  
**250 RPM**

Max. Pressure  
**250 BAR**

Max. Temperature  
**80 °C**

Connection Type  
**NPT, BSPP, BSPT**

Rotor Size  
**2 x 1/4" - 12 x 3/4"**

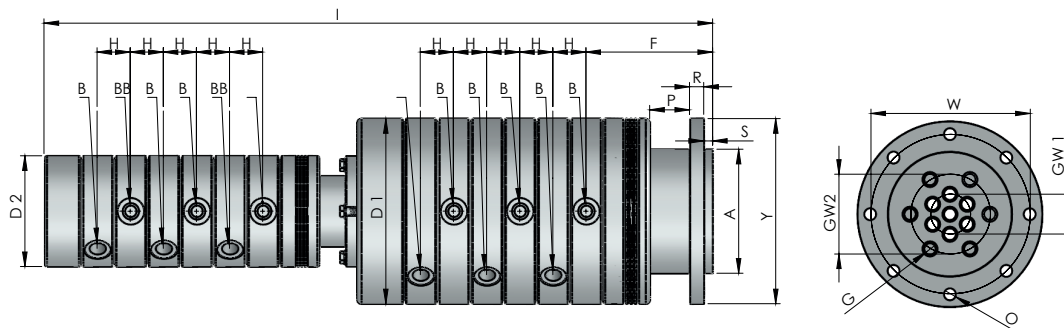


- ✓ Multi flow design
- ✓ Self supported sealing
- ✓ Dynamic carbon teflon sealing
- ✓ Special design sealing part for different fluids
- ✓ Flanged shaft
- ✓ Chrom plated sealing surface
- ✓ Stainless steel body
- ✓ For low-quality fluids
- ✓ Custom connections types are available

Multi-pass rotary unions.

**!** Do not operate without fluid.

## DIMENSIONS



SIZE	MODEL NO	B	Y Ø	A Ø	G Ø	D Ø	F	H	I	S	P	R	W	GW	O	KG
12 X 1/4"	M2-212081-200	1/4" NPT	180	120	7	180/108	121,50	25,40	577	7	42	12	160	38 / 70	9	67,25
12 X 1/4"	M2-212082-200	1/4" BSP	180	120	7	180/108	121,50	25,40	577	7	42	12	160	38 / 70	9	67,25
12 X 1/4"	M2-212083-200	1/4" BSPP	180	120	7	180/108	121,50	25,40	577	7	42	12	160	38 / 70	9	67,25
12 X 3/8"	M2-212101-200	3/8" NPT	196	125	10	179 / 108	124	30	622	10	40	15	165	36 / 70	11	72,85
12 X 3/8"	M2-212102-200	3/8" BSP	196	125	10	179 / 108	124	30	622	10	40	15	165	36 / 70	11	72,85
12 X 3/8"	M2-212103-200	3/8" BSPP	196	125	10	179 / 108	124	30	622	10	40	15	165	36 / 70	11	72,85
12 X 1/2"	M2-212151-200	1/2" NPT	209	140	13	209 / 125	143	37,40	755	10	45	16	170	45 / 90	13	118,30
12 X 1/2"	M2-212152-200	1/2" BSP	209	140	13	209 / 125	143	37,40	755	10	45	16	170	45 / 90	13	118,30
12 X 1/2"	M2-212153-200	1/2" BSPP	209	140	13	209 / 125	143	37,40	755	10	45	16	170	45 / 90	13	118,30
12 X 3/4"	M2-212201-200	3/4" NPT	250	178	18	250 / 165	178	43,40	882,55	10	75	16	220	60 / 110	13	204,85
12 X 3/4"	M2-212202-200	3/4" BSP	250	178	18	250 / 165	178	43,40	882,55	10	75	16	220	60 / 110	13	204,85
12 X 3/4"	M2-212203-200	3/4" BSPP	250	178	18	250 / 165	178	43,40	882,55	10	75	16	220	60 / 110	13	204,85