

Rotary Joint

# 9000HO-T4 Serisi

🚰 Akı kan Tipi  
Kızgın Yağ

🌀 Maks. Hız  
400 RPM

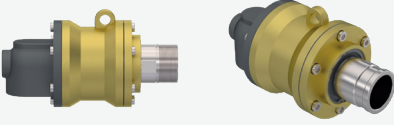
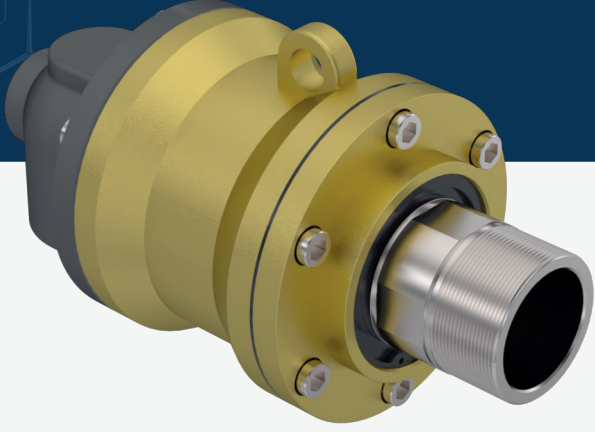
🌀 Maks. Basınç  
7 BAR

🌡️ Maks. Sıcaklık  
280 °C

🔧 Ba lantı Tipi

🌀 Rotor Ölçüsü

BSPP, BSPT, NPT, FL, Metrik 2 1/2" DN65 - 4" DN100

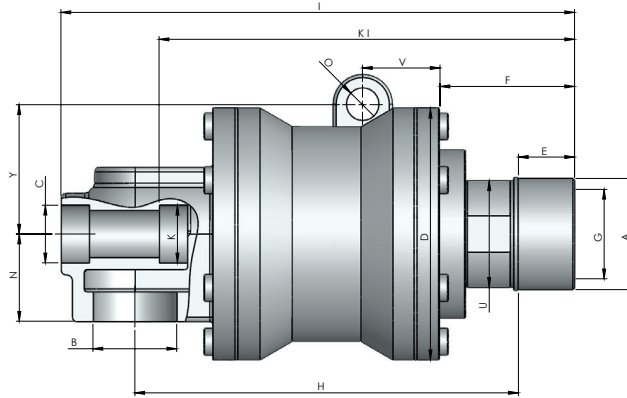


Buhar için sızdırmazlık ba lı ı

- ✓ Tek ve Çift hat geçi li
- ✓ ç destekli sızdırmazlık ve yataklama
- ✓ Paslanmaz çelik a ft ve iç aksam
- ✓ Sfero döküm yüksek kalite gövde
- ✓ Karbon grafit (Reçineli, Antimuanlı) konik sızdırmazlıklar
- ✓ Geni ölçü, ba lantı ve di tipli olana ı

⚠️ Akı kan olmadan çalı tırmayın.

## ÖLÇÜLER





50	1 1/2" NPT	S9201-4120-0000-20	2" NPT - LH	1" NPT	124	287	30	81	1" BSPP	222	49	212	37,50	47	69	60	18				8,50
50	1 1/2" NPT	S9201-4120-0000-70	Ø65	1" NPT	124	287		81	1" BSPP	222	49	212	37,50	47	69		18	63	10	16	8,50
50	1 1/2" BSP	S9201-4220-0000-30	2" BSP - RH	1" BSP	124	287	30	81	1" BSPP	222	49	212	37,50	47	69	60	18				8,50
50	1 1/2" BSP	S9201-4220-0000-40	2" BSP - RH	1" BSP	124	287	30	81	1" BSPP	222	49	212	37,50	47	69	60	18				8,50
50	1 1/2" BSP	S9201-4220-0000-70	Ø65	1" BSP	124	287		81	1" BSPP	222	49	212	37,50	47	69		18	63	10	16	8,50
65	2" NPT	S9251-4125-0000-10	2 1/2" NPT - RH	1 1/4" NPT	170	347,50	38	91	1 1/4" BSPP	279	60,50	259,50	52,50	59	87,50	72	22				19,25
65	2" NPT	S9251-4125-0000-20	2 1/2" NPT - LH	1 1/4" NPT	170	347,50	38	91	1 1/4" BSPP	279	60,50	259,50	52,50	59	87,50	72	22				19,25
65	2" NPT	S9251-4125-0000-70	Ø65	1 1/4" NPT	170	347,50		91	1 1/4" BSPP	279	60,50	269,50	52,50	59	87,50		22	72	10	18	19,25
65	2" BSP	S9251-4225-0000-30	2 1/2" BSP - RH	1 1/4" BSP	170	347,50	38	91	1 1/4" BSPP	279	60,50	259,50	52,50	59	87,50	72	22				19,25
65	2" BSP	S9251-4225-0000-40	2 1/2" BSP - RH	1 1/4" BSP	170	347,50	38	91	1 1/4" BSPP	279	60,50	259,50	52,50	59	87,50	72	22				19,25
65	2" BSP	S9251-4225-0000-70	Ø65	1 1/4" BSP	170	347,50		91	1 1/4" BSPP	279	60,50	269,50	52,50	59	87,50		22	72	10	18	19,25
80	2 1/2" NPT	S9301-4130-0000-10	3" NPT - RH	1 1/2" NPT	190	403	44	118	1 1/2" BSPP	313	73	299	61,50	68	105	85,70	28				27,30
80	2 1/2" NPT	S9301-4130-0000-20	3" NPT - LH	1 1/2" NPT	190	403	44	118	1 1/2" BSPP	313	73	299	61,50	68	105	85,70	28				27,30
80	2 1/2" NPT	S9301-4130-0000-70	Ø87,3	1 1/2" NPT	190	389		118	1 1/2" BSPP	299	73	276	61,50	68	105		28	84	22	31	27,30
80	2 1/2" BSP	S9301-4230-0000-30	3" BSP - RH	1 1/2" BSP	190	403	44	118	1 1/2" BSPP	313	73	299	61,50	68	105	85,70	28				27,30
80	2 1/2" BSP	S9301-4230-0000-40	3" BSP - RH	1 1/2" BSP	190	403	44	118	1 1/2" BSPP	313	73	299	61,50	68	105	85,70	28				27,30
80	2 1/2" BSP	S9301-4230-0000-70	Ø87,3	1 1/2" BSP	190	389		118	1 1/2" BSPP	299	73	276	61,50	68	105		28	84	22	31	27,30
100	3" NPT	S9401-4140-0000-10	4" NPT - RH	2" NPT	240	497	40	143	2" BSPP	396	98	387	69	90	127,50	115	28				51,80
100	3" NPT	S9401-4140-0000-20	4" NPT - LH	2" NPT	240	497	40	143	2" BSPP	396	98	387	69	90	127,50	115	28				51,80
100	3" NPT	S9401-4140-0000-70	Ø114	2" NPT	240	497		143	2" BSPP	393	98	387	69	90	127,50		28	110	12	22	51,80
100	3" BSP	S9401-4240-0000-30	4" BSP - RH	2" BSP	240	497	40	143	2" BSPP	396	98	387	69	90	127,50	115	28				51,80
100	3" BSP	S9401-4240-0000-40	4" BSP - RH	2" BSP	240	497	40	143	2" BSPP	396	98	387	69	90	127,50	115	28				51,80
100	3" BSP	S9401-4240-0000-70	Ø114	2" BSP	240	497		143	2" BSPP	393	98	387	69	90	127,50		28	110	12	22	51,80