

Multiports

M2-SR6

Media Type
Hydraulic Oil, Air - Vacuum

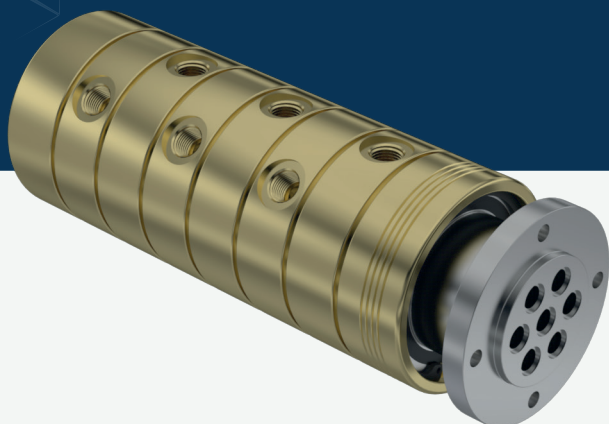
Max. Speed
250 RPM

Max. Pressure
250 BAR

Max. Temperature
80 °C

Connection Type
NPT, BSPP, BSPT

Rotor Size
2 x 1/4" - 12 x 3/4"

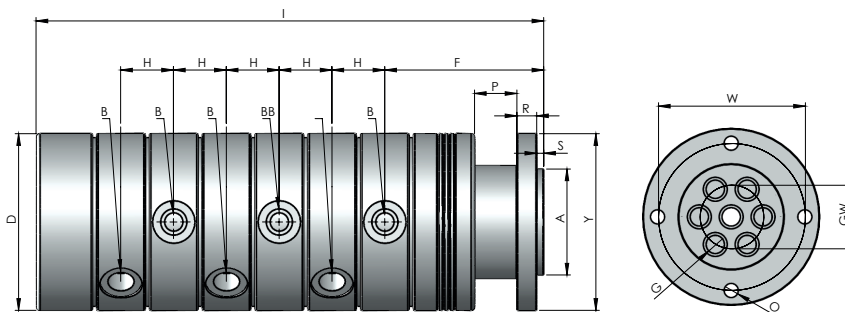


- ✓ Multi flow design
- ✓ Self supported design
- ✓ Dynamic carbon teflon sealing
- ✓ Special design sealing part for different fluids
- ✓ Flanged shaft
- ✓ Chrom plated sealing surface
- ✓ For low-quality fluids
- ✓ Custom connections types are available

Multi-passage rotary unions.

! Do not operate without fluid.

DIMENSIONS



SIZE	MODEL NO	B	Y Ø	A Ø	G Ø	D Ø	F	H	I	S	P	R	W	GW	O	KG
6 X 1/4"	M2-46081-200	1/4" NPT	108	70	7	108	95	25,40	272,70	3	35	8	90	38	9	16,15
6 X 1/4"	M2-46082-200	1/4" BSP	108	70	7	108	95	25,40	272,70	3	35	8	90	38	9	16,15
6 X 1/4"	M2-46083-200	1/4" BSPP	108	70	7	108	95	25,40	272,70	3	35	8	90	38	9	16,15
6 X 3/8"	M2-46101-200	3/8" NPT	108	65	10	108	93	30	293	5	22	12	90	35	9	18,50
6 X 3/8"	M2-46102-200	3/8" BSP	108	65	10	108	93	30	293	5	22	12	90	35	9	18,50
6 X 3/8"	M2-46103-200	3/8" BSPP	108	65	10	108	93	30	293	5	22	12	90	35	9	18,50
6 X 1/2"	M2-46151-200	1/2" NPT	125	75	13	125	112,50	37,40	359,40	5	30	14	104	45	10	28,55
6 X 1/2"	M2-46152-200	1/2" BSP	125	75	13	125	112,50	37,40	359,40	5	30	14	104	45	10	28,55
6 X 1/2"	M2-46152-200	1/2" BSPP	125	75	13	125	112,50	37,40	359,40	5	30	14	104	45	10	28,55
6 X 3/4"	M2-46201-200	3/4" NPT	165	115	18	165	132,50	43,40	417,10	5	45	13	139	60	11	57,80
6 X 3/4"	M2-46202-200	3/4" BSP	165	115	18	165	132,50	43,40	417,10	5	45	13	139	60	11	57,80
6 X 3/4"	M2-46203-200	3/4" BSPP	165	115	18	165	132,50	43,40	417,10	5	45	13	139	60	11	57,80