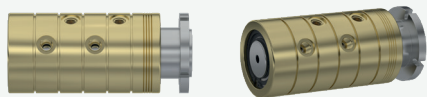
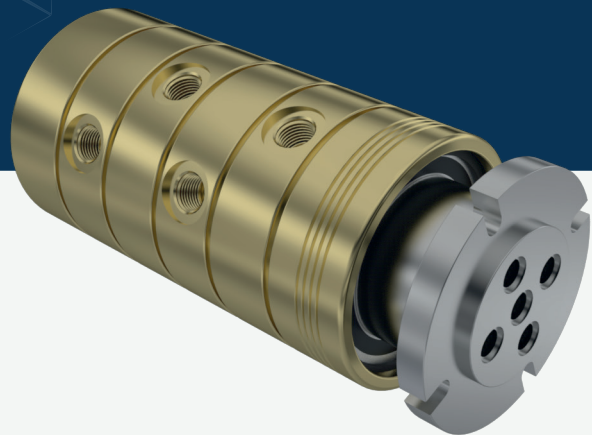


Multiports

# M1-SR4



Multi-passage rotary unions

Media Type  
**Hydraulic Oil, Air - Vacuum**

Max. Speed  
**250 RPM**

Max. Pressure  
**250 BAR**

Max. Temperature  
**80 °C**

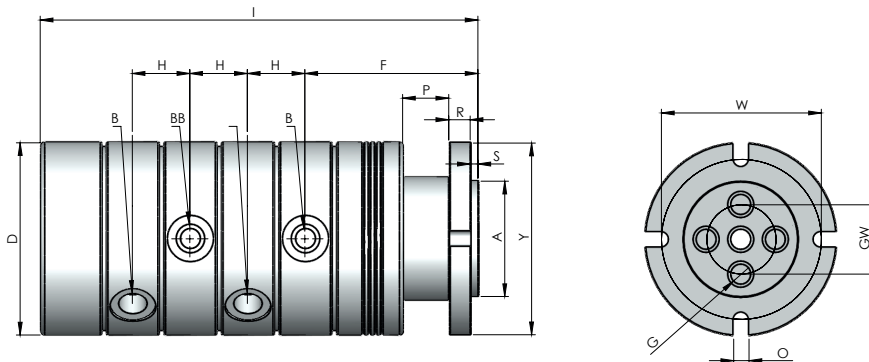
Connection Type  
**NPT, BSPP, BSPT**

Rotor Size  
**2 x 1/4" - 12 x 3/4"**

- Multi flow design
- Self supported design
- Dynamic carbon teflon sealing
- Special design sealing part for different fluids
- Flanged shaft
- Chrom plated sealing surface
- For low-quality fluids
- Custom connections types are available

Do not operate without fluid.

## DIMENSIONS



SIZE	MODEL NO	B	Y Ø	A Ø	G Ø	D Ø	F	H	I	S	P	R	W	GW	O	KG
4 X 1/4"	M1-44081-200	1/4" NPT	81	45	7	80	71	23,40	184,30	3	20	7	70	20	6,50	6
4 X 1/4"	M1-44082-200	1/4" BSP	81	45	7	80	71	23,40	184,30	3	20	7	70	20	6,50	6
4 X 1/4"	M1-44083-200	1/4" BSPP	81	45	7	80	71	23,40	184,30	3	20	7	70	20	6,50	6
4 X 3/8"	M1-44101-200	3/8" NPT	98	50	10	98	87,20	30	227,50	5	20	12	76	24	8,50	11,20
4 X 3/8"	M1-44102-200	3/8" BSP	98	50	10	98	87,20	30	227,50	5	20	12	76	24	8,50	11,20
4 X 3/8"	M1-44103-200	3/8" BSPP	98	50	10	98	87,20	30	227,50	5	20	12	76	24	8,50	11,20
4 X 1/2"	M1-44151-200	1/2" NPT	125	75	13	125	112,50	37,40	284,60	5	30	14	104	45	10	22,30
4 X 1/2"	M1-44152-200	1/2" BSP	125	75	13	125	112,50	37,40	284,60	5	30	14	104	45	10	22,30
4 X 1/2"	M1-44153-200	1/2" BSPP	125	75	13	125	112,50	37,40	284,60	5	30	14	104	45	10	22,30
4 X 3/4"	M1-44201-200	3/4" NPT	135	85	18	135	117,50	43,40	310,60	5	35	12	110	46	11	28
4 X 3/4"	M1-44202-200	3/4" BSP	135	85	18	135	117,50	43,40	310,60	5	35	12	110	46	11	28
4 X 3/4"	M1-44203-200	3/4" BSPP	135	85	18	135	117,50	43,40	310,60	5	35	12	110	46	11	28