

Swivel Joint

E8-ED90 Series

Media Type
**Hydraulic Oil,
Water + General Purpose**

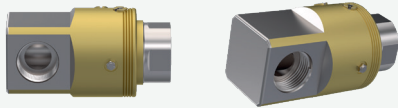
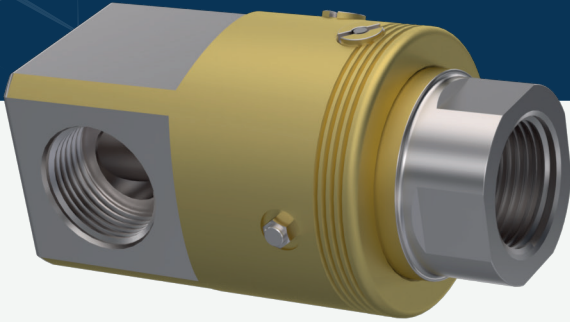
Max. Speed
20 RPM

Max. Pressure
300 BAR

Max. Temperature
120 °C

Connection Type
BSP, BSPP, NPT, Metric

Rotor Size
1/4" DN08 - 1 1/2" DN40

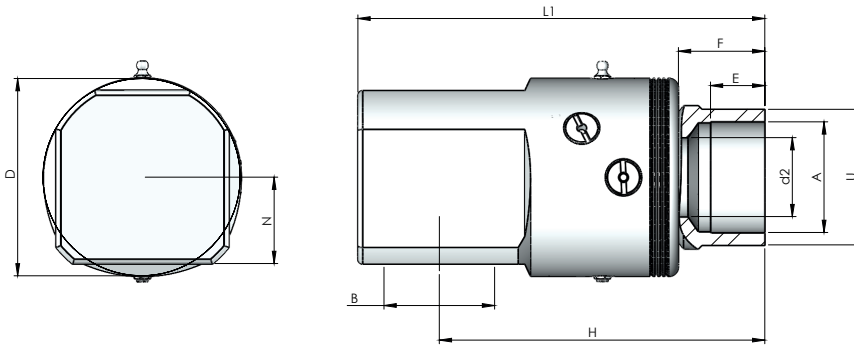


Swivel Joint for water, hydraulic oil, gress and chemical fluids

- ✓ Single flow design,
- ✓ Carbon steel material
- ✓ Hardened inner sealing surface
- ✓ Special design sealing components
- ✓ Easy changable repair parts
- ✓ BSP, BSPP, NPT, UNF, Metric threads...

! Do not operate without fluid.

DIMENSIONS



SIZE	MODEL NO	A	DØ	L1	E	F	d2Ø	H	N	U	KG
1/4" BSP	E8 - DD90-008	1/4" BSP	40	81	12	15	7	67,5	20	22	0,57
3/8" BSP	E8 - DD90-010	3/8" BSP	40	81	12	15	9	62,5	20	22	0,54
1/2" BSP	E8 - DD90-015	1/2" BSP	50	93	14	17	12	80	20	27	0,9
3/4" BSP	E8 - DD90-020	3/4" BSP	60	110	16	21	14	91	24	32	1,56
1" BSP	E8 - DD90-025	1" BSP	65	120	18	25	20	97	25	41	1,92
1 1/4" BSP	E8 - DD90-032	1 1/4" BSP	75	158	20	30	25	129	31	50	3,55
1 1/2" BSP	E8 - DD90-040	1 1/2" BSP	80	165	22	35	32	132	35	55	4