

Multiports M3-S4

Media Type
Hydraulic Oil, Air - Vacuum

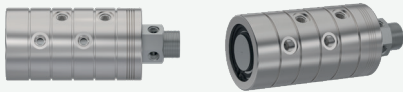
Max. Speed
250 RPM

Max. Pressure
250 BAR

Max. Temperature
80 °C

Connection Type
NPT, BSPP, BSPT

Rotor Size
2 x 1/4" - 12 x 3/4"

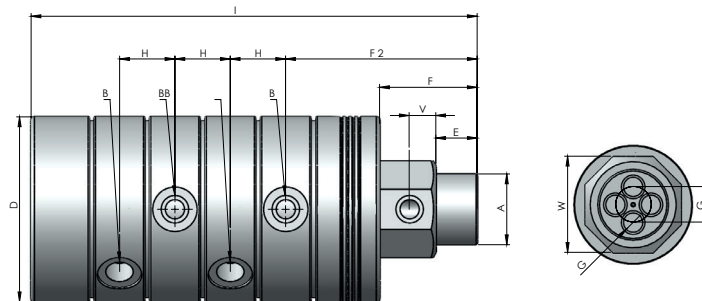


Multi-passage rotary unions.

- ✓ Threaded connection
- ✓ Self supported design
- ✓ Dynamic carbon teflon sealing
- ✓ Special design sealing part for different fluids
- ✓ Chrom plated sealing surface
- ✓ Stainless steel body
- ✓ Custom connections types are available

! Do not operate without fluid.

DIMENSIONS



SIZE	MODEL NO	B	A (RH)	GØ	E	F	DØ	I	F 2	H	V	GWØ	W	KG
4 X 1/4"	M3-34081-2112	1/4" NPT	1 1/4" NPT	7	28	66	80	220,30	107	23,40	17	20	55	3,55
4 X 1/4"	M3-34082-2212	1/4" BSP	1 1/4" BSP	7	28	66	80	220,30	107	23,40	17	20	55	3,55
4 X 1/4"	M3-34083-2312	1/4" BSPP	1 1/4" BSPP	7	28	66	80	220,30	107	23,40	17	20	55	3,55
4 X 3/8"	M3-34101-2112	3/8" NPT	1 1/4" NPT	10	28	66	98	256,50	116,20	30	17	20	55	6
4 X 3/8"	M3-34102-2212	3/8" BSP	1 1/4" BSP	10	28	66	98	256,50	116,20	30	17	20	55	6
4 X 3/8"	M3-34103-2312	3/8" BSPP	1 1/4" BSPP	10	28	66	98	256,50	116,20	30	17	20	55	6
4 X 1/2"	M3-34151-2114	1/2" NPT	1 1/2" NPT	13	28	66	125	301,60	129,50	37,40	18	22	65	12,80
4 X 1/2"	M3-34152-2214	1/2" BSP	1 1/2" BSP	13	28	66	125	301,60	129,50	37,40	18	22	65	12,80
4 X 1/2"	M3-34153-2314	1/2" BSPP	1 1/2" BSPP	13	28	66	125	301,60	129,50	37,40	18	22	65	12,80