

Multiports

M2-S6

Media Type
Hydraulic Oil, Air - Vacuum

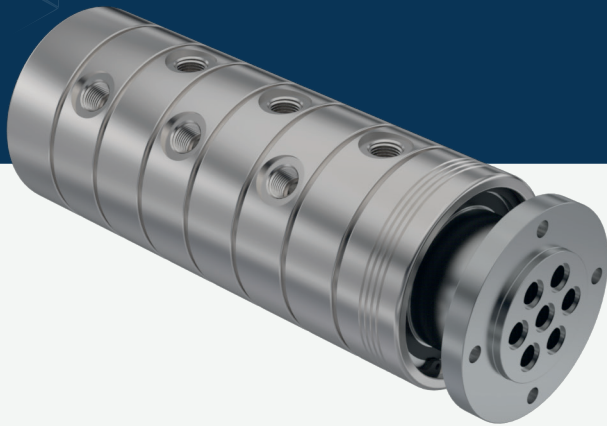
Max. Speed
250 RPM

Max. Pressure
250 BAR

Max. Temperature
80 °C

Connection Type
NPT, BSPP, BSPT

Rotor Size
2 x 1/4" - 12 x 3/4"

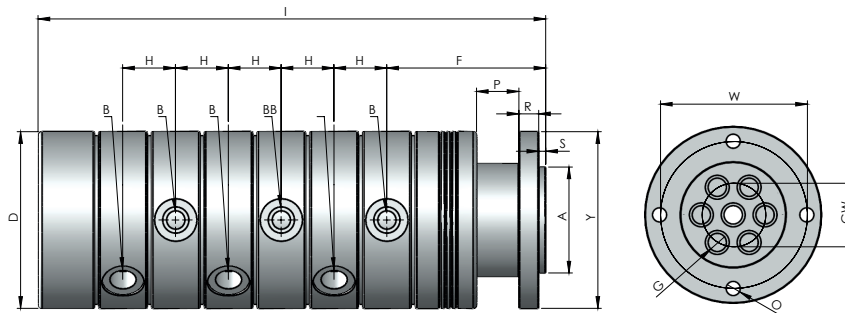


Multi-passage rotary unions.

- ✓ Multi flow design
- ✓ Self supported sealing
- ✓ Dynamic carbon teflon sealing
- ✓ Special design sealing part for different fluids
- ✓ Flanged shaft
- ✓ Chrom plated sealing surface
- ✓ Stainless steel body
- ✓ For low-quality fluids
- ✓ Custom connections types are available

! Do not operate without fluid.

DIMENSIONS



SIZE	MODEL NO	B	Y Ø	A Ø	G Ø	D Ø	F	H	I	S	P	R	W	GW	O	KG
6 X 1/4"	M2-26081-200	1/4" NPT	108	70	7	108	95	25,40	272,70	3	35	8	90	38	9	16,05
6 X 1/4"	M2-26082-200	1/4" BSP	108	70	7	108	95	25,40	272,70	3	35	8	90	38	9	16,05
6 X 1/4"	M2-26083-200	1/4" BSPP	108	70	7	108	95	25,40	272,70	3	35	8	90	38	9	16,05
6 X 3/8"	M2-26101-200	3/8" NPT	108	65	10	108	93	30	293	5	22	12	90	35	9	17,80
6 X 3/8"	M2-26102-200	3/8" BSP	108	65	10	108	93	30	293	5	22	12	90	35	9	17,80
6 X 3/8"	M2-26103-200	3/8" BSPP	108	65	10	108	93	30	293	5	22	12	90	35	9	17,80
6 X 1/2"	M2-26151-200	1/2" NPT	125	75	13	125	112,50	37,40	359,40	5	30	14	104	45	10	28,35
6 X 1/2"	M2-26152-200	1/2" BSP	125	75	13	125	112,50	37,40	359,40	5	30	14	104	45	10	28,35
6 X 1/2"	M2-26153-200	1/2" BSPP	125	75	13	125	112,50	37,40	359,40	5	30	14	104	45	10	28,35
6 X 3/4"	M2-26201-200	3/4" NPT	165	115	18	165	132,50	43,40	417,10	5	45	13	139	60	11	57,25
6 X 3/4"	M2-26202-200	3/4" BSP	165	115	18	165	132,50	43,40	417,10	5	45	13	139	60	11	57,25
6 X 3/4"	M2-26203-200	3/4" BSPP	165	115	18	165	132,50	43,40	417,10	5	45	13	139	60	11	57,25
6 X 1"	M2-26251-200	1" NPT	190	110	22	190	143,40	50,40	462	7	55	16	165	60	13,50	83,20

6 X 1"	M2-26252-200	1" BSP	190	110	22	190	143,40	50,40	462	7	55	16	165	60	13,50	83,20
6 X 1"	M2-26253-200	1" BSPP	190	110	22	190	143,40	50,40	462	7	55	16	165	60	13,50	83,20
6 X 1 1/4"	M2-26312-200	1 1/4" NPT	230	150	28	230	167,10	65	577,70	7	55	20	180	85	13,50	141,75
6 X 1 1/4"	M2-26322-200	1 1/4" BSP	230	150	28	230	167,10	65	577,70	7	55	20	180	85	13,50	141,75
6 X 1 1/4"	M2-26323-200	1 1/4" B SPP	230	150	28	230	167,10	65	577,70	7	55	20	180	85	13,50	141,75