

Multiports M4-S8

Media Type
Hydraulic Oil, Air - Vacuum

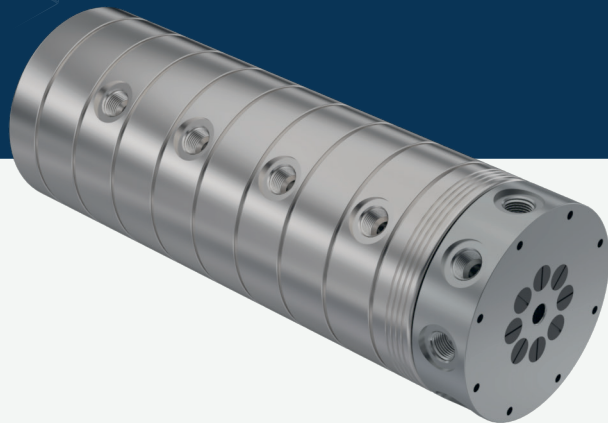
Max. Speed
250 RPM

Max. Pressure
250 BAR

Max. Temperature
80 °C

Connection Type
NPT, BSPP, BSPT

Rotor Size
2 x 1/4" - 12 x 3/4"

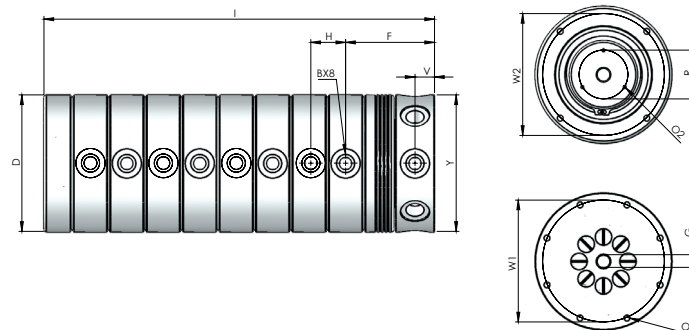


- ✓ Multi flow design
- ✓ Self supported design
- ✓ Dynamic carbon teflon sealing
- ✓ Special design sealing part for different fluids
- ✓ BSP,NPT metric threads inlet's & outlet's
- ✓ Chrom plated sealing surface
- ✓ Stainless Steel body
- ✓ Custom connections types are available

Multi-passage rotary unions.

Do not operate without fluid.

DIMENSIONS



SIZE	MODEL NO	B	YØ	B2	DØ	F	H	I	V	GØ	W1Ø	W2Ø	RØ	O1	O2	KG
8 X 1/4"	M4-28081-200	1/4" NPT	90	1/4" NPT	90	59,20	23,40	258,85	10	7	80	82	25	M6X20	M3X10	10,95
8 X 1/4"	M4-28082-200	1/4" BSP	90	1/4" BSP	90	59,20	23,40	258,85	10	7	80	82	25	M6X20	M3X10	10,95
8 X 1/4"	M4-28083-200	1/4" BSPP	90	1/4" BSPP	90	59,20	23,40	258,85	10	7	80	82	25	M6X20	M3X10	10,95
8 X 3/8"	M4-28101-200	3/8" NPT	110	3/8" NPT	110	72,70	30	325,55	15	10	100	95	35	M6X20	M3X10	21,40
8 X 3/8"	M4-28102-200	3/8" BSP	110	3/8" BSP	110	72,70	30	325,55	15	10	100	95	35	M6X20	M3X10	21,40
8 X 3/8"	M4-28103-200	3/8" BSPP	110	3/8" BSPP	110	72,70	30	325,55	15	10	100	95	35	M6X20	M3X10	21,40
8 X 1/2"	M4-28151-200	1/2" NPT	140	1/2" NPT	140	89,65	37,40	400,65	20	13	125	125	50	M6X20	M3X10	43,00
8 X 1/2"	M4-28152-200	1/2" BSP	140	1/2" BSP	140	89,65	37,40	400,65	20	13	125	125	50	M6X20	M3X10	43,00
8 X 1/2"	M4-28153-200	1/2" BSPP	140	1/2" BSPP	140	89,65	37,40	400,65	20	13	125	125	50	M6X20	M3X10	43,00
8 X 3/4"	M4-28201-200	3/4" NPT	180	3/4" NPT	180	99,35	43,40	457,50	20	18	160	160	70	M8X20	M4X10	65,95
8 X 3/4"	M4-28202-200	3/4" BSP	180	3/4" BSP	180	99,35	43,40	457,50	20	18	160	160	70	M8X20	M4X10	65,95
8 X 3/4"	M4-28203-200	3/4" BSPP	180	3/4" BSPP	180	99,35	43,40	457,50	20	18	160	160	70	M8X20	M4X10	65,95
8 X 1"	M4-28251-200	1" NPT	200	1" NPT	200	115,35	50,40	528	25	22	180	180	65	M10X50	M10X20	111,05
8 X 1"	M4-28252-200	1" BSP	200	1" BSP	200	115,35	50,40	528	25	22	180	180	65	M10X50	M10X20	111,05
8 X 1"	M4-28253-200	1" BSPP	200	1" BSPP	200	115,35	50,40	528	25	22	180	180	65	M10X50	M10X20	111,05