

Rotary Joint

2000 Serisi

🚰 Akışkan Tipi
Hava - Vakum

🌀 Maks. Hız
1.500 RPM

📏 Maks. Baskınç
10 BAR

🌡️ Maks. Sıcaklık
80 °C

🔗 Bağlantı Tipi

BSP, BSPT, NPT, FL, Metrik 1/8" DN06 - 1 1/2" DN40

🌀 Rotor Ölçüsü

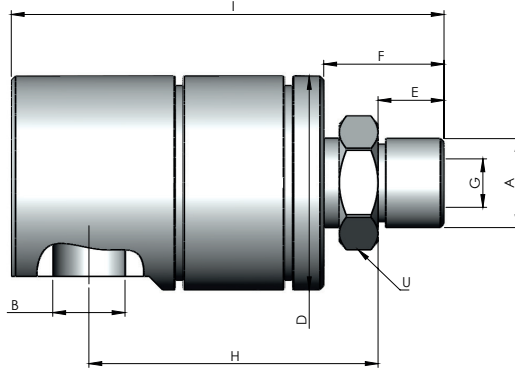


- ✓ Tek hat geçiqli
- ✓ 90° gövde giriqli
- ✓ İç destekli balansli yataklama
- ✓ Teflon, nbr sızdırmazlık elemanları
- ✓ Alüminyum, anti korozyon gövde
- ✓ Pilotlu, pilotsuz şaft

For Air & Vacuum rotary joints

⚠️ Akışkan olmadan çalıştırmayın.

ÖLÇÜLER



BOYUT	B	MODEL NO	A	DØ	I	E	F	GØ	H	U	KG
6	1/8" NPT	2010-015-100	1/8" NPT - RH	32	63	11	18	3,20	42	16	0,13
6	1/8" NPT	2010-015-101	1/8" NPT - LH	32	63	11	18	3,20	42	16	0,13
6	1/8" BSP	2010-015-200	1/8" BSP - RH	32	63	11	18	3,20	42	16	0,13
6	1/8" BSP	2010-015-201	1/8" BSP - LH	32	63	11	18	3,20	42	16	0,13
8	1/4" NPT	2025-015-102	1/4" NPT - RH	40	79	13	26	6,50	55	22	0,24
8	1/4" NPT	2025-015-103	1/4" NPT - LH	40	79	13	26	6,50	55	22	0,24
8	1/4" BSP	2025-015-202	1/4" BSP - RH	40	79	13	26	6,50	55	22	0,24
8	1/4" BSP	2025-015-203	1/4" BSP - LH	40	79	13	26	6,50	55	22	0,24
10	3/8" NPT	2037-015-104	3/8" NPT - RH	44	88,50	13	26	8,50	60	24	0,27
10	3/8" NPT	2037-015-105	3/8" NPT - LH	44	88,50	13	26	8,50	60	24	0,27
10	3/8" BSP	2037-015-204	3/8" BSP - RH	44	88,50	13	26	8,50	60	24	0,27
10	3/8" BSP	2037-015-205	3/8" BSP - LH	44	88,50	13	26	8,50	60	24	0,27

15	1/2" NPT	2050-015-106	1/2" NPT - RH	55	111,50	17	31	12,50	74,50	30	0,65
15	1/2" NPT	2050-015-107	1/2" NPT - LH	55	111,50	17	31	12,50	74,50	30	0,65
15	1/2" BSP	2050-015-206	1/2" BSP - RH	55	111,50	17	31	12,50	74,50	30	0,65
15	1/2" BSP	2050-015-207	1/2" BSP - LH	55	111,50	17	31	12,50	74,50	30	0,65
20	3/4" NPT	2075-015-108	3/4" NPT - RH	69	119	20	33	17,50	76	36	1
20	3/4" NPT	2075-015-109	3/4" NPT - LH	69	119	20	33	17,50	76	36	1
20	3/4" BSP	2075-015-208	3/4" BSP - RH	69	119	20	33	17,50	76	36	1
20	3/4" BSP	2075-015-209	3/4" BSP - LH	69	119	20	33	17,50	76	36	1
25	1" NPT	2100-015-110	1" NPT - RH	74	135,50	22	41	25	88,50	40	1,25
25	1" NPT	2100-015-111	1" NPT - LH	74	135,50	22	41	25	88,50	40	1,25
25	1" BSP	2100-015-210	1" BSP - RH	74	135,50	22	41	25	88,50	40	1,25
25	1" BSP	2100-015-211	1" BSP - LH	74	135,50	22	41	25	88,50	40	1,25
32	1 1/4" NPT	2125-015-112	1 1/4" NPT - RH	95	159	23	43	32	105	50	2,45
32	1 1/4" NPT	2125-015-113	1 1/4" NPT - LH	95	159	23	43	32	105	50	2,45
32	1 1/4" BSP	2125-015-212	1 1/4" BSP - RH	95	159	23	43	32	105	50	2,45
32	1 1/4" BSP	2125-015-213	1 1/4" BSP - LH	95	159	23	43	32	105	50	2,45
40	1 1/2" NPT	2150-015-114	1 1/2" NPT - RH	105	191	29	70	38	127	60	3,45
40	1 1/2" NPT	2150-015-115	1 1/2" NPT - LH	105	191	29	70	38	127	60	3,45
40	1 1/2" BSP	2150-015-214	1 1/2" BSP - RH	105	191	29	70	38	127	60	3,45
40	1 1/2" BSP	2150-015-215	1 1/2" BSP - LH	105	191	29	70	38	127	60	3,45