

Swivel Joint

# E1-KK2 Series

Media Type  
**Hydraulic Oil,  
Water + General Purpose**

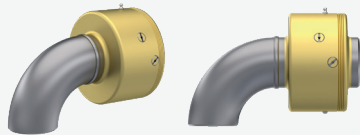
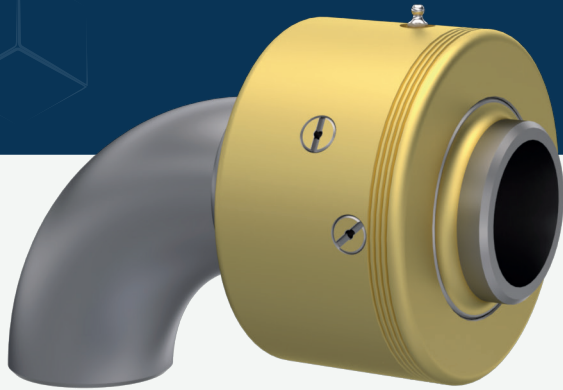
Max. Speed  
**20 RPM**

Max. Pressure  
**250 BAR**

Max. Temperature  
**120 °C**

Connection Type  
**Weld End**

Rotor Size  
**3/4" DN20 - 8" DN200**

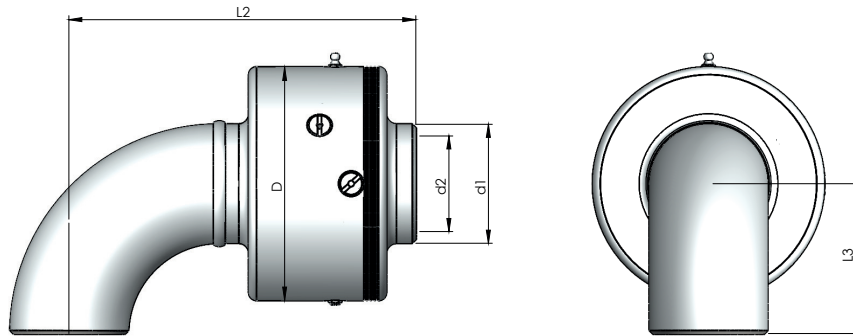


Swivel Joint for water, hydraulic oil, gress and chemical fluids

- ✓ Single flow design
- ✓ Carbon steel body
- ✓ Hardened inner sealing surface
- ✓ Special design sealing components
- ✓ Easy changable repair parts
- ✓ Weld end connection

 Do not operate without fluid.

## DIMENSIONS



SIZE	MODEL NO	DØ	L2	L3	d1Ø	d2Ø	F	KG
20	E1 - KK2-020	72	120	29	26,90	18	29	1,60
25	E1 - KK2-025	78	130	35	33,70	27,30	29	1,80
32	E1 - KK2-032	88	153	48	42,40	35,20	15	3,21
40	E1 - KK2-040	100	162	57	48,30	36,90	15	4,54
50	E1 - KK2-050	118	176	76	60,30	48,50	15	5,93
65	E1 - KK2-065	133	205	95	76,10	59	17,50	8,90
80	E1 - KK2-080	139	225	114	88,90	76,30	17,50	8,71
100	E1 - KK2-100	175	262	152	114,30	97,10	17,50	14,10
125	E1 - KK2-125	199	330	190	139,70	122,30	20	21,72
150	E1 - KK2-150	222	374	229	168,30	150	22,50	27,40
200	E1 - KK2-200	288	485	305	219,10	200	25	59,80