

Multiports

M2-S8

Media Type
Hydraulic Oil, Air - Vacuum

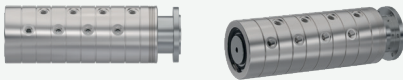
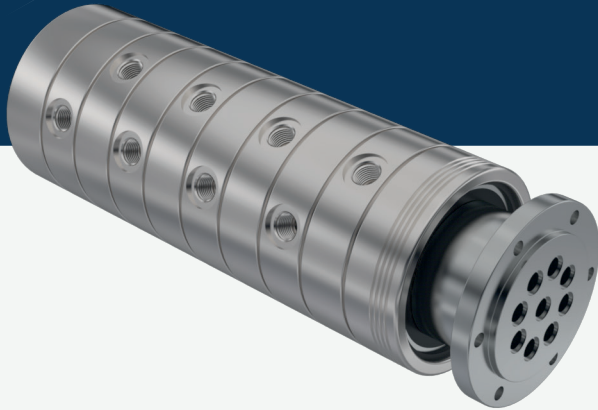
Max. Speed
250 RPM

Max. Pressure
250 BAR

Max. Temperature
80 °C

Connection Type
NPT, BSPP, BSPT

Rotor Size
2 x 1/4" - 12 x 3/4"

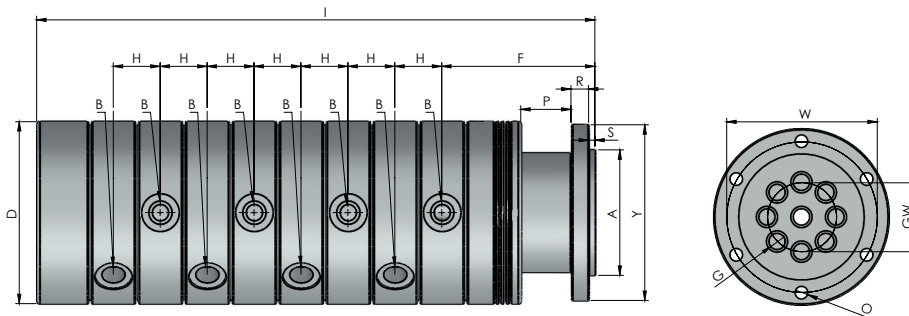


Multi-passage rotary unions.

- ✓ Multi flow design
- ✓ Self supported sealing
- ✓ Dynamic carbon teflon sealing
- ✓ Special design sealing part for different fluids
- ✓ Flanged shaft
- ✓ Chrom plated sealing surface
- ✓ Stainless steel body
- ✓ For low-quality fluids
- ✓ Custom connections types are available

! Do not operate without fluid.

DIMENSIONS



SIZE	MODEL NO	B	Y Ø	A Ø	G Ø	D Ø	F	H	I	S	P	R	W	GW	O	KG
8 X 1/4"	M2-28081-200	1/4" NPT	108	70	7	108	95	25,40	321,50	3	35	8	70	38	9	19,20
8 X 1/4"	M2-28082-200	1/4" BSP	108	70	7	108	95	25,40	321,50	3	35	8	70	38	9	19,20
8 X 1/4"	M2-28083-200	1/4" BSPP	108	70	7	108	95	25,40	321,50	3	35	8	70	38	9	19,20
8 X 3/8"	M2-28101-200	3/8" NPT	125	90	10	125	93,50	30	357,50	5	22	12	106	45	9	29,60
8 X 3/8"	M2-28102-200	3/8" BSP	125	90	10	125	93,50	30	357,50	5	22	12	106	45	9	29,60
8 X 3/8"	M2-28103-200	3/8" BSPP	125	90	10	125	93,50	30	357,50	5	22	12	106	45	9	29,60
8 X 1/2"	M2-28151-200	1/2" NPT	140	100	13	145	122	37,40	445	5	40	14	120	55	10	48,45
8 X 1/2"	M2-28152-200	1/2" BSP	140	100	13	145	122	37,40	445	5	40	14	120	55	10	48,45
8 X 1/2"	M2-28153-200	1/2" BSPP	140	100	13	145	122	37,40	445	5	40	14	120	55	10	48,45
8 X 3/4"	M2-28201-200	3/4" NPT	225	165	18	225	151	43,40	521	5	58	13	200	80	11	136,75
8 X 3/4"	M2-28202-200	3/4" BSP	225	165	18	225	151	43,40	521	5	58	13	200	80	11	136,75
8 X 3/4"	M2-28203-200	3/4" BSPP	225	165	18	225	151	43,40	521	5	58	13	200	80	11	136,75
8 X 1"	M2-28251-200	1" NPT	229	140	22	229	153,40	50,40	575,50	10	55	20	200	90	13,50	155,90

8 X 1"	M2-28252-200	1" BSP	229	140	22	229	153,40	50,40	575,50	10	55	20	200	90	13,50	155,90
8 X 1"	M2-28253-200	1" BSPP	229	140	22	229	153,40	50,40	575,50	10	55	20	200	90	13,50	155,90
8 X 1 1/4"	M2-28321-200	1 1/4" NPT	310	230	28	310	175	65	721	10	55	20	273	130	17,50	375,35
8 X 1 1/4"	M2-28322-200	1 1/4" BSP	310	230	28	310	175	65	721	10	55	20	273	130	17,50	375,35
8 X 1 1/4"	M2-28323-200	1 1/4" BSPP	310	230	28	310	175	65	721	10	55	20	273	130	17,50	375,35