

Rotary Joint

1000C-T2 Series

Media Type
Water + General Purpose

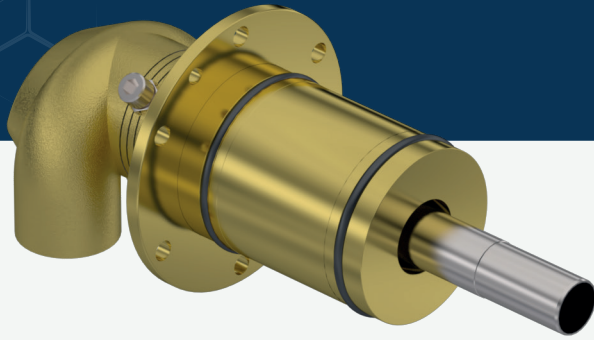
Max. Speed
100 RPM

Max. Pressure
10 BAR

Max. Temperature
120 °C

Connection Type
BSP, BSPP, NPT

Rotor Size
1/2" DN15 - 1" DN25

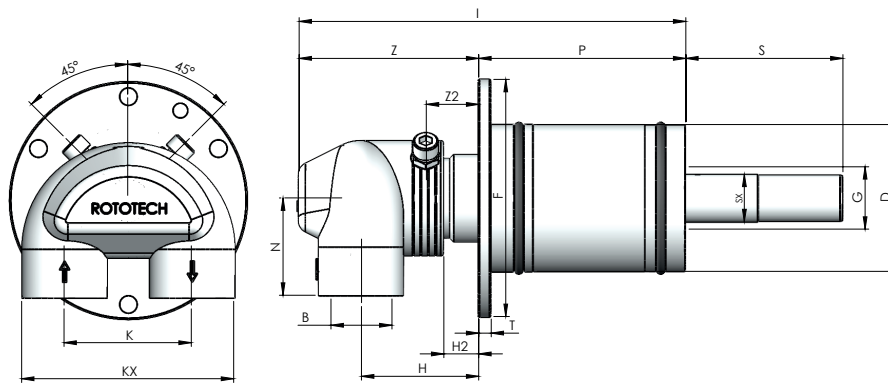


- ✓ Single or Dual flow
- ✓ In-the-shaft mounted
- ✓ Stainless steel shaft
- ✓ Bronze bearing and teflon+viton o-ring seal kit
- ✓ Forging brass body
- ✓ Easy assembling

For CCM lines water rotary joints

! Do not operate without fluid.

DIMENSIONS



SIZE	MODEL NO	B	Z	Z2	P	DØ	I	H	H2	GØ	F	T	N	K	KX	S	SXØ	KG
15	1053-3200-101	1/2" NPT	58	15	52	43	110	43,50	9	13,50	77	5	35	44	73	40	13	1,10
15	1054-3200-101	1/2" BSP	58	15	52	43	110	43,50	9	13,50	77	5	35	44	73	40	13	1,10
20	1073-3200-101	3/4" NPT	71	20	65	46,20	136	46	13	17,50	77	5	39	51	85	50	13	1,95
20	1074-3200-101	3/4" BSP	71	20	65	46,20	136	46	13	17,50	77	5	39	51	85	50	13	1,95
20	1073-3400-201	3/4" NPT	72	21	83	58,85	155	47	14	25	95	5	39	51	85	63	19	2,75
20	1074-3400-201	3/4" BSP	72	21	83	58,85	155	47	14	25	95	5	39	51	85	63	19	2,75
25	1101-3500-301	1" NPT	94	21	92	71,10	186	63	14	39	110	5	43	63,50	105,50	50	30	3,70
25	1101-3500-301	1" BSP	94	21	92	71,10	186	63	14	39	110	5	43	63,50	105,50	50	30	3,70