

Multiports

M2-C12

Media Type
Hydraulic Oil, Air - Vacuum

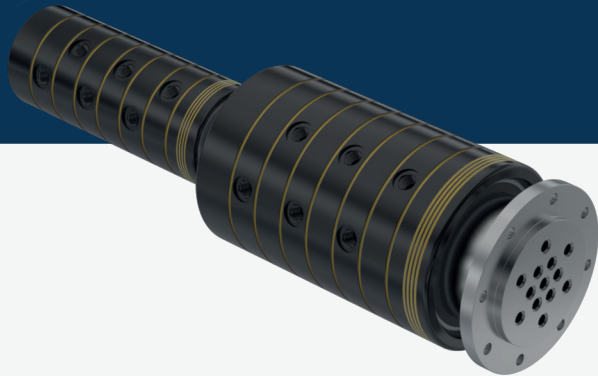
Max. Speed
250 RPM

Max. Pressure
250 BAR

Max. Temperature
80 °C

Connection Type
NPT, BSPP, BSPT

Rotor Size
2 x 1/4" - 12 x 3/4"

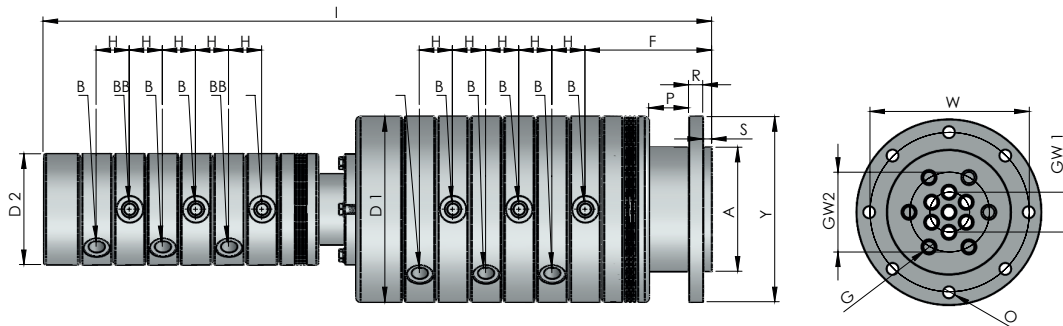


- ✓ Multi flow design
- ✓ Self supported sealing
- ✓ Dynamic carbon teflon sealing
- ✓ Special design sealing part for different fluids
- ✓ Flanged shaft
- ✓ Chrom plated sealing surface
- ✓ Carbon steel body
- ✓ Anti corrosion plated body
- ✓ Custom connections types are available

Multi-passage rotary unions.

! Do not operate without fluid.

DIMENSIONS



SIZE	MODEL NO	B	Y Ø	A Ø	G Ø	D Ø	F	H	I	S	P	R	W	GW	O	KG
12 X 1/4"	M2-112081-200	1/4" NPT	180	120	7	180 / 108	121,50	25,40	577	7	42	12	160	38 / 70	9	61,85
12 X 1/4"	M2-112082-200	1/4" BSP	180	120	7	180 / 108	121,50	25,40	577	7	42	12	160	38 / 70	9	61,85
12 X 1/4"	M2-112083-200	1/4" BSPP	180	120	7	180 / 108	121,50	25,40	577	7	42	12	160	38 / 70	9	61,85
12 X 3/8"	M2-112101-200	3/8" NPT	196	125	10	179 / 108	124	30	622	10	40	15	165	36 / 70	11	66,85
12 X 3/8"	M2-112102-200	3/8" BSP	196	125	10	179 / 108	124	30	622	10	40	15	165	36 / 70	11	66,85
12 X 3/8"	M2-112103-200	3/8" BSPP	196	125	10	179 / 108	124	30	622	10	40	15	165	36 / 70	11	66,85
12 X 1/2"	M2-112151-200	1/2" NPT	209	140	13	209 / 125	143	37,40	755	10	45	16	170	45 / 90	13	108,60
12 X 1/2"	M2-112152-200	1/2" BSP	209	140	13	209 / 125	143	37,40	755	10	45	16	170	45 / 90	13	108,60
12 X 1/2"	M2-112153-200	1/2" BSPP	209	140	13	209 / 125	143	37,40	755	10	45	16	170	45 / 90	13	108,60
12 X 3/4"	M2-112201-200	3/4" NPT	250	178	18	250 / 165	178,40	43,40	882,55	10	75	16	220	60 / 110	13	187,80
12 X 3/4"	M2-112202-200	3/4" BSP	250	178	18	250 / 165	178,40	43,40	882,55	10	75	16	220	60 / 110	13	187,80
12 X 3/4"	M2-112203-200	3/4" BSPP	250	178	18	250 / 165	178,40	43,40	882,55	10	75	16	220	60 / 110	13	187,80