

Rotary Joint

9000S-T3 Series

Media Type
Steam

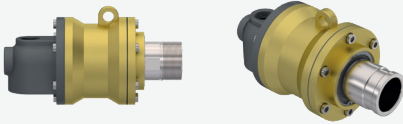
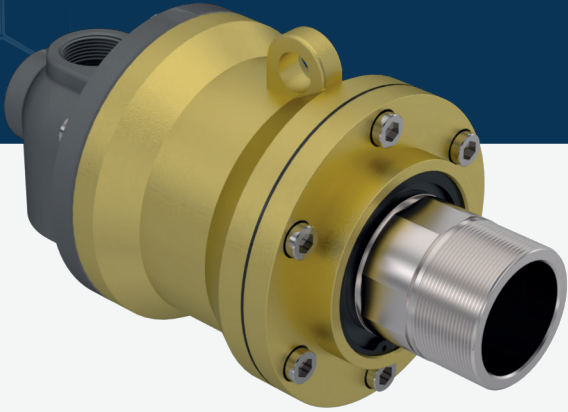
Max. Speed
400 RPM

Max. Pressure
17 BAR

Max. Temperature
180 °C

Connection Type
BSP, BSPT, NPT, FL, Metric

Rotor Size
2 1/2" DN65 - 4" DN100

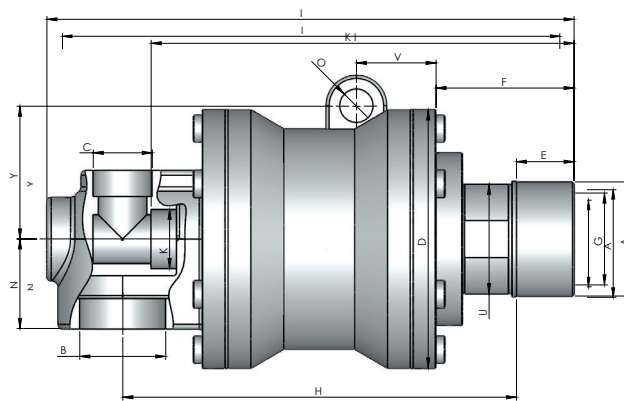


Rotary Joint for steam

- ✓ Single & duoflow design
- ✓ Nodular casting housing
- ✓ Stainless steel shaft and inner components
- ✓ Carbon Graphite sealing parts
- ✓ Stationary or rotating siphon system
- ✓ Threaded, Qr & flanged connection

! Do not operate without fluid.

DIMENSIONS



SIZE	B	MODEL NO	A	C	DØ	I	E	F	K	K I	GØ	H	V	N	Y	U	OØ	LØ	S	T	KG
15	1/2" NPT	S9050-3105-0000-10	1/2" NPT - RH	1/4" NPT	68	180	18	59	1/4" BSPP	148,70	13	140	29,50	22	37	22	10				1,75
15	1/2" NPT	S9050-3105-0000-20	1/2" NPT - LH	1/4" NPT	68	180	18	59	1/4" BSPP	148,70	13	140	29,50	22	37	22	10				1,75
15	1/2" NPT	S9050-3105-0000-70	Ø24	1/4" NPT	68	180		59	1/4" BSPP	148,70	13	141	29,50	22	37		10	22	6	11	1,75
15	1/2" BSP	S9050-3205-0000-30	1/2" BSP - RH	1/4" BSP	68	180	18	59	1/4" BSPP	148,70	13	140	29,50	22	37	22	10				1,75
15	1/2" BSP	S9050-3205-0000-40	1/2" BSP - RH	1/4" BSP	68	180	18	59	1/4" BSPP	148,70	13	140	29,50	22	37	22	10	22	6	11	1,75
15	1/2" BSP	S9050-3205-0000-70	Ø24	1/4" BSP	68	180		59	1/4" BSPP	148,70	13	141	29,50	22	37		10				1,75
20	1/2" NPT	S9070-3107-0000-10	3/4" NPT - RH	3/8" NPT	74	189	20	62	3/8" BSPP	156	18	144	29,50	26	40	27	10				2,15
20	1/2" NPT	S9070-3107-0000-20	3/4" NPT - LH	3/8" NPT	74	189	20	62	3/8" BSPP	156	18	144	29,50	26	40	27	10				2,15
20	1/2" NPT	S9070-3107-0000-70	Ø30	3/8" NPT	74	189		62	3/8" BSPP	156	18	143	29,50	26	40		10	28	8	13	2,15
20	1/2" BSP	S9070-3207-0000-30	3/4" BSP - RH	3/8" BSP	74	189	20	62	3/8" BSPP	156	18	144	29,50	26	40	27	10				2,15
20	1/2" BSP	S9070-3207-0000-40	3/4" BSP - RH	3/8" BSP	74	189	20	62	3/8" BSPP	156	18	144	29,50	26	40	27	10	28	8	13	2,15
20	1/2" BSP	S9070-3207-0000-70	Ø30	3/8" BSP	74	189		62	3/8" BSPP	156	18	143	29,50	26	40		10				2,15
25	3/4" NPT	S9100-3110-0000-10	1" NPT - RH	1/2" NPT	80	203	22	64	3/8" BSPP	164	25	151	29,50	28,50	43	32	10				2,60
25	3/4" NPT	S9100-3110-0000-20	1" NPT - LH	1/2" NPT	80	203	22	64	3/8" BSPP	164	25	151	29,50	28,50	43	32	10				2,60
25	3/4" NPT	S9100-3110-0000-70	Ø35	1/2" NPT	80	203		64	3/8" BSPP	164	25	152	29,50	28,50	43		10	33	8	13	2,60
25	3/4" BSP	S9100-3210-0000-30	1" BSP - RH	1/2" BSP	80	203	22	64	3/8" BSPP	164	25	151	29,50	28,50	43	32	10				2,60
25	3/4" BSP	S9100-3210-0000-40	1" BSP - RH	1/2" BSP	80	203	22	64	3/8" BSPP	164	25	151	29,50	28,50	43	32	10	33	8	13	2,60
25	3/4" BSP	S9100-3210-0000-70	Ø35	1/2" BSP	80	203		64	3/8" BSPP	164	25	152	29,50	28,50	43		10				2,60
32	1" NPT	S9120-3112-0000-10	1 1/4" NPT - RH	3/4" NPT	103	230,50	25	73	1/2" BSPP	194	32	176,50	34,50	35	56	41	14				4,90
32	1" NPT	S9120-3112-0000-20	1 1/4" NPT - LH	3/4" NPT	103	230,50	25	73	1/2" BSPP	194	32	176,50	34,50	35	56	41	14				4,90
32	1" NPT	S9120-3112-0000-70	Ø45	3/4" NPT	103	230,50		73	1/2" BSPP	194	32	174	34,50	35	56		14	43	8	17	4,90
32	1" BSP	S9120-3212-0000-30	1 1/4" BSP - RH	3/4" BSP	103	230,50	25	73	1/2" BSPP	194	32	176,50	34,50	35	56	41	14				4,90
32	1" BSP	S9120-3212-0000-40	1 1/4" BSP - RH	3/4" BSP	103	230,50	25	73	1/2" BSPP	194	32	176,50	34,50	35	56	41	14	43	8	17	4,90
32	1" BSP	S9120-3212-0000-70	Ø45	3/4" BSP	103	230,50		73	1/2" BSPP	194	32	174	34,50	35	56		14				4,90
40	1 1/4" NPT	S9150-3115-0000-10	1 1/2" NPT - RH	3/4" NPT	112	243	27	72	3/4" BSPP	197	38	185	34,50	41	33	50	18				6,35
40	1 1/4" NPT	S9150-3115-0000-20	1 1/2" NPT - LH	3/4" NPT	112	243	27	72	3/4" BSPP	197	38	185	34,50	41	33	50	18				6,35
40	1 1/4" NPT	S9150-3115-0000-70	Ø50	3/4" NPT	112	243		72	3/4" BSPP	197	38	185	34,50	41	33		18	48	10	16	6,35
40	1 1/4" BSP	S9150-3215-0000-30	1 1/2" BSP - RH	3/4" BSP	112	243	27	72	3/4" BSPP	197	38	185	34,50	41	33	50	18				6,35
40	1 1/4" BSP	S9150-3215-0000-40	1 1/2" BSP - RH	3/4" BSP	112	243	27	72	3/4" BSPP	197	38	185	34,50	41	33	50	18				6,35
40	1 1/4" BSP	S9150-3215-0000-70	Ø50	3/4" BSP	112	243		72	3/4" BSPP	197	38	185	34,50	41	33		18	48	10	16	6,35
50	1 1/2" NPT	S9200-3120-0000-10	2" NPT - RH	1" NPT	124	287	30	81	1" BSPP	222	49	212	37,50	47	69	60	18				8,50

50	1 1/2" NPT	S9200-3120-0000-20	2" NPT - LH	1" NPT	124	287	30	81	1" BSPP	222	49	212	37,50	47	69	60	18				8,50
50	1 1/2" NPT	S9200-3120-0000-70	Ø65	1" NPT	124	287		81	1" BSPP	222	49	212	37,50	47	69		18	63	10	16	8,50
50	1 1/2" BSP	S9200-3220-0000-30	2" BSP - RH	1" BSP	124	287	30	81	1" BSPP	222	49	212	37,50	47	69	60	18				8,50
50	1 1/2" BSP	S9200-3220-0000-40	2" BSP - RH	1" BSP	124	287	30	81	1" BSPP	222	49	212	37,50	47	69	60	18				8,50
50	1 1/2" BSP	S9200-3220-0000-70	Ø65	1" BSP	124	287		81	1" BSPP	222	49	212	37,50	47	69		18	63	10	16	8,50
65	2" NPT	S9250-3125-0000-10	2 1/2" NPT - RH	1 1/4" NPT	170	347,50	38	91	1 1/4" BSPP	279	60,50	259,50	52,50	59	87,50	72	22				19,25
65	2" NPT	S9250-3125-0000-20	2 1/2" NPT - LH	1 1/4" NPT	170	347,50	38	91	1 1/4" BSPP	279	60,50	259,50	52,50	59	87,50	72	22				19,25
65	2" NPT	S9250-3125-0000-70	Ø65	1 1/4" NPT	170	347,50		91	1 1/4" BSPP	279	60,50	269,50	52,50	59	87,50		22	72	10	18	19,25
65	2" BSP	S9250-3225-0000-30	2 1/2" BSP - RH	1 1/4" BSP	170	347,50	38	91	1 1/4" BSPP	279	60,50	259,50	52,50	59	87,50	72	22				19,25
65	2" BSP	S9250-3225-0000-40	2 1/2" BSP - RH	1 1/4" BSP	170	347,50	38	91	1 1/4" BSPP	279	60,50	259,50	52,50	59	87,50	72	22				19,25
65	2" BSP	S9250-3225-0000-70	Ø65	1 1/4" BSP	170	347,50		91	1 1/4" BSPP	279	60,50	269,50	52,50	59	87,50		22	72	10	18	19,25
80	2 1/2" NPT	S9300-3130-0000-10	3" NPT - RH	1 1/2" NPT	190	403	44	118	1 1/2" BSPP	313	73	299	61,50	68	105	85,70	28				27,30
80	2 1/2" NPT	S9300-3130-0000-20	3" NPT - LH	1 1/2" NPT	190	403	44	118	1 1/2" BSPP	313	73	299	61,50	68	105	85,70	28				27,30
80	2 1/2" NPT	S9300-3130-0000-70	Ø87,3	1 1/2" NPT	190	389		118	1 1/2" BSPP	299	73	276	61,50	68	105		28	84	22	31	27,30
80	2 1/2" BSP	S9300-3230-0000-30	3" BSP - RH	1 1/2" BSP	190	403	44	118	1 1/2" BSPP	313	73	299	61,50	68	105	85,70	28				27,30
80	2 1/2" BSP	S9300-3230-0000-40	3" BSP - RH	1 1/2" BSP	190	403	44	118	1 1/2" BSPP	313	73	299	61,50	68	105	85,70	28				27,30
80	2 1/2" BSP	S9300-3230-0000-70	Ø87,3	1 1/2" BSP	190	389		118	1 1/2" BSPP	299	73	276	61,50	68	105		28	84	22	31	27,30
100	3" NPT	S9400-3140-0000-10	4" NPT - RH	2" NPT	240	497	40	143	2" BSPP	396	98	387	69	90	127,50	115	28				51,80
100	3" NPT	S9400-3140-0000-20	4" NPT - LH	2" NPT	240	497	40	143	2" BSPP	396	98	387	69	90	127,50	115	28				51,80
100	3" NPT	S9400-3140-0000-70	Ø114	2" NPT	240	497		143	2" BSPP	393	98	387	69	90	127,50		28	110	12	22	51,80
100	3" BSP	S9400-3240-0000-30	4" BSP - RH	2" BSP	240	497	40	143	2" BSPP	396	98	387	69	90	127,50	115	28				51,80
100	3" BSP	S9400-3240-0000-40	4" BSP - RH	2" BSP	240	497	40	143	2" BSPP	396	98	387	69	90	127,50	115	28				51,80
100	3" BSP	S9400-3240-0000-70	Ø114	2" BSP	240	497		143	2" BSPP	393	98	387	69	90	127,50		28	110	12	22	51,80