

Swivel Joint

E6-SAE6000 Series

Media Type
**Hydraulic Oil,
Water + General Purpose**

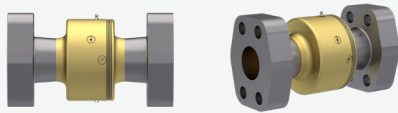
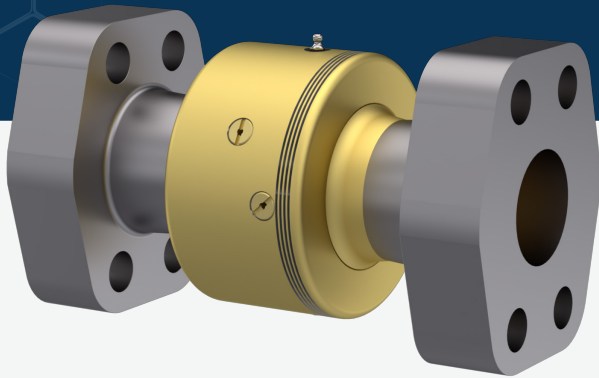
Max. Speed
20 RPM

Max. Pressure
413 BAR

Max. Temperature
120 °C

Connection Type
Flanged

Rotor Size
1/2" DN15 - 3" DN80

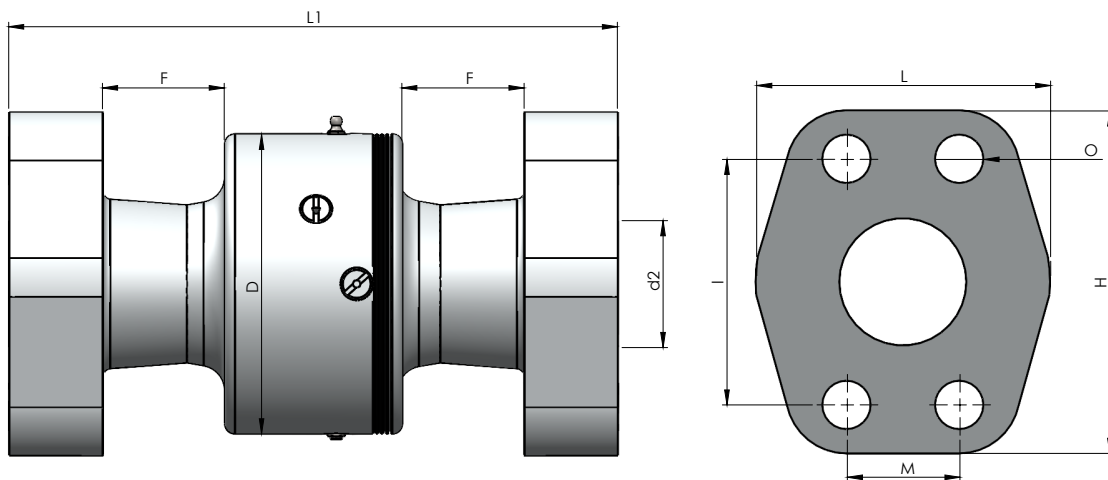


Swivel Joint for water, hydraulic oil and chemical fluids

- ✓ Single flow design,
- ✓ Carbon steel material
- ✓ Hardened inner sealing surface
- ✓ Special design sealing components
- ✓ Easy changable repair parts
- ✓ SAE 3000-6000 flanged

 Do not operate without fluid.

DIMENSIONS



SIZE	MODEL NO	DØ	L1	F	d2Ø	H	L	M	I	O	KG
15	E6 - SAE6000-015	50	140	32,5	13	57	47	18,30	40,50	M8	1,20
20	E6 - SAE6000-020	72	147	31	19	66	49	23,80	50,80	M10	2,50
25	E6 - SAE6000-025	78	164	33	25	80	69	27,80	57,10	M12	3,35
32	E6 - SAE6000-032	88	193	35	31	94	77	31,60	66,70	M14	5,60
40	E6 - SAE6000-040	100	207	36	38	106	89	36,50	79,40	M16	7,30
50	E6 - SAE6000-050	118	240	48	50	135	116	44,40	96,80	M20	11,60
65	E6 - SAE6000-065	133	255	47,5	63	166	150	58,70	123,80	M24	18,50
80	E6 - SAE6000-080	139	291	52,5	73	208	178	71,40	152,40	M30	29,20