

Multiports M2-A3

Media Type
Hydraulic Oil, Air - Vacuum

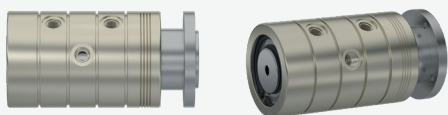
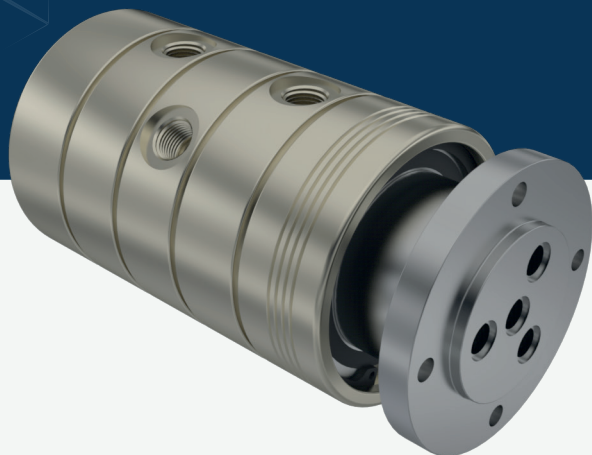
Max. Speed
250 RPM

Max. Pressure
250 BAR

Max. Temperature
80 °C

Connection Type
NPT, BSPP, BSPT

Rotor Size
2 x 1/4" - 12 x 3/4"

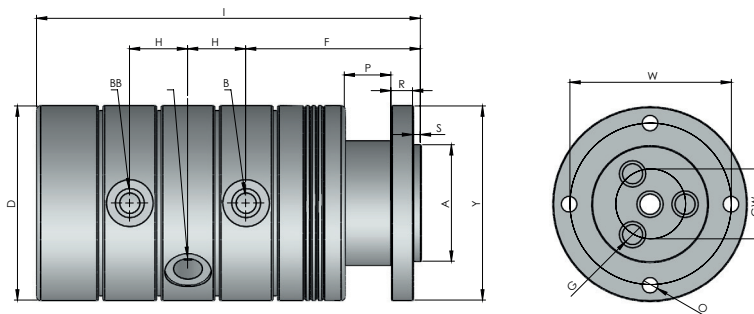


Multi-pass rotary unions.

- ✓ Multi flow design
- ✓ Self supported sealing
- ✓ Dynamic carbon teflon sealing
- ✓ Special design sealing part for different fluids
- ✓ Flanged shaft
- ✓ Chrom plated sealing surface
- ✓ Aluminium steel body
- ✓ Anti corrosion plated
- ✓ Custom connections types are available

! Do not operate without fluid.

DIMENSIONS



SIZE	MODEL NO	B	Y Ø	A Ø	G Ø	D Ø	F	H	I	S	P	R	W	GW	O	KG
3 X 1/4"	M2-33081-200	1/4" NPT	81	45	7	80	71	23,40	161	3	20	7	70	20	6,5	2,80
3 X 1/4"	M2-33082-200	1/4" BSP	81	45	7	80	71	23,40	161	3	20	7	70	20	6,5	2,80
3 X 1/4"	M2-33083-200	1/4" BSPP	81	45	7	80	71	23,40	161	3	20	7	70	20	6,5	2,80
3 x 3/8"	M2-33101-200	3/8" NPT	80	45	10	80	75,15	30	184,30	3	20	7	68	18	6,50	3,10
3 x 3/8"	M2-33102-200	3/8" BSP	80	45	10	80	75,15	30	184,30	3	20	7	68	18	6,50	3,10
3 x 3/8"	M2-33103-200	3/8" BSPP	80	45	10	80	75,15	30	184,30	3	20	7	68	18	6,50	3,10
3 X 1/2"	M2-33151-200	1/2" NPT	125	75	13	125	112,50	37,40	247	5	30	14	104	45	10	11,85
3 X 1/2"	M2-33152-200	1/2" BSP	125	75	13	125	112,50	37,40	247	5	30	14	104	45	10	11,85
3 X 1/2"	M2-33153-200	1/2" BSPP	125	75	13	125	112,50	37,40	247	5	30	14	104	45	10	11,85
3 X 3/4"	M2-33201-200	3/4" NPT	135	85	18	135	117,50	43,40	267,20	5	35	12	110	46	11	14,25
3 X 3/4"	M2-33202-200	3/4" BSP	135	85	18	135	117,50	43,40	267,20	5	35	12	110	46	11	14,25
3 X 3/4"	M2-33203-200	3/4" BSPP	135	85	18	135	117,50	43,40	267,20	5	35	12	110	46	11	14,25