

Swivel Joint

E1-KKS2 Series

Media Type
**Hydraulic Oil,
Water + General Purpose**

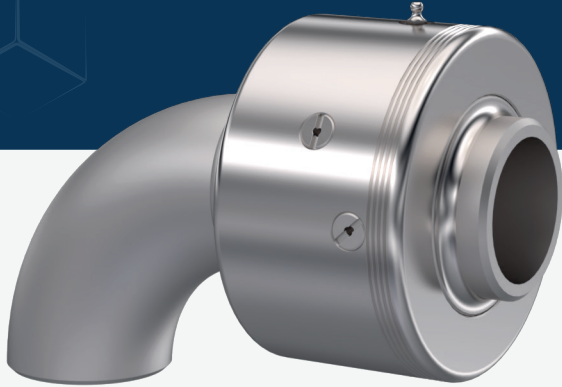
Max. Speed
20 RPM

Max. Pressure
250 BAR

Max. Temperature
120 °C

Connection Type
Weld End

Rotor Size
3/4" DN20 - 8" DN200

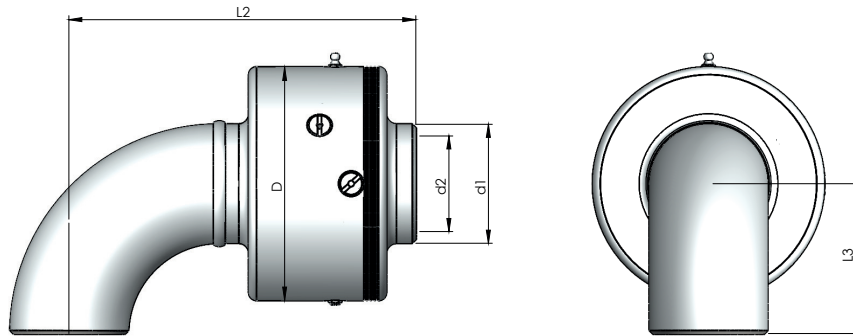


Swivel Joint for water, hydraulic oil, gress and chemical fluids

- ✓ Single flow design
- ✓ Stainless steel body
- ✓ Hardened inner sealing surface
- ✓ Special design sealing components
- ✓ Easy changable repair parts
- ✓ Weld end connection

! Do not operate without fluid.

DIMENSIONS



SIZE	MODEL NO	DØ	L2	L3	d1Ø	d2Ø	F	KG
20	E1 - KK2-020-304	72	120	29	26,90	18	29	1,65
25	E1 - KK2-025-304	78	130	35	33,70	27,30	29	1,84
32	E1 - KK2-032-304	88	153	48	42,40	35,20	15	3,29
40	E1 - KK2-040-304	100	162	57	48,30	36,90	15	4,66
50	E1 - KK2-050-304	118	176	76	60,30	48,50	15	6,08
65	E1 - KK2-065-304	133	205	95	76,10	59	17,50	9,12
80	E1 - KK2-080-304	139	225	114	88,90	76,30	17,50	8,94
100	E1 - KK2-100-304	175	262	152	114,30	97,10	17,50	14,46
125	E1 - KK2-125-304	199	330	190	139,70	122,30	20	22,27
150	E1 - KK2-150-304	222	374	229	168,30	150	22,50	28,10
200	E1 - KK2-200-304	288	485	305	219,10	200	25	61,29