

Rotary Joint

3000HO-T1 Series

Media Type
Hot Oil

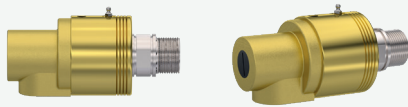
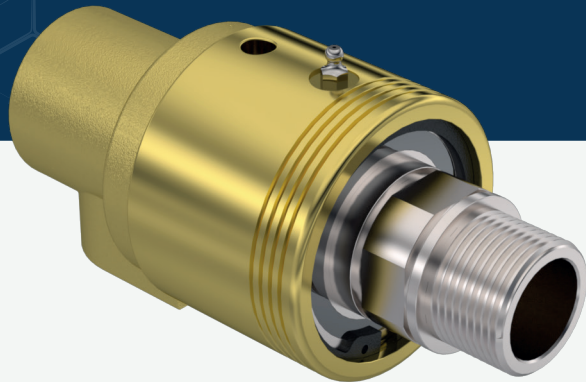
Max. Speed
750 - 3500 RPM

Max. Pressure
6.5 BAR

Max. Temperature
160 °C

Connection Type
BSP, BSPT, NPT, FL, Metric

Rotor Size
1/4" DN08 - 2" DN50

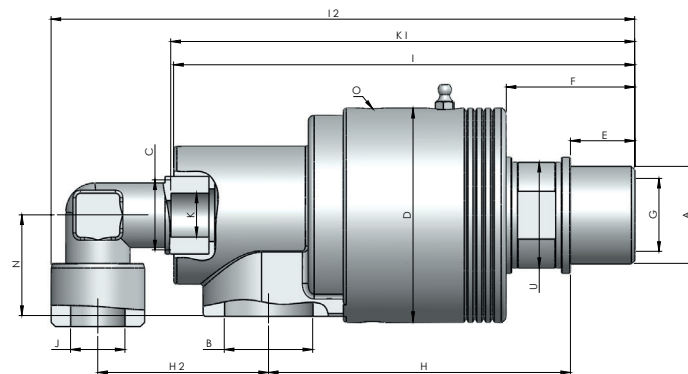


Rotary Joints for Hot Oil (Max. 160°C)

- ✓ Single flow
- ✓ Balanced mechanical sealing
- ✓ Forged brass housing
- ✓ Silicon carbide sealing components
- ✓ Stainless steel shaft and inner parts
- ✓ Threaded, Qr & flanged connection

⚠ Do not operate without fluid.

DIMENSIONS



50	2" NPT	1" NPT	3200-011-117D	2" NPT - LH	1 1/2" NPT	115	249	306	30	64	1" BSPP	306	48	164	87,50	46,50	60				8,5 (2x180°)	8,15
50	2" NPT	1" NPT	3200-011-100D	Ø65	1 1/2" NPT	115	249	306		64	1" BSPP	306	48	164	87,50	46,50		63	10	17	8,5 (2x180°)	8,15
50	2" BSP	1" BSP	3200-311-216D	2" BSP - RH	1 1/2" BSP	115	249	306	30	64	1" BSPP	306	48	164	87,50	46,50	60				8,5 (2x180°)	8,15
50	2" BSP	1" BSP	3200-311-217D	2" BSP - LH	1 1/2" BSP	115	249	306	30	64	1" BSPP	306	48	164	87,50	46,50	60				8,5 (2x180°)	8,15
50	2" BSP	1" BSP	3200-311-100D	Ø65	1 1/2" BSP	115	249	306		64	1" BSPP	306	48	164	87,50	46,50		63	10	17	8,5 (2x180°)	8,15