

Multiports M1-S4

Media Type
Hydraulic Oil, Air - Vacuum

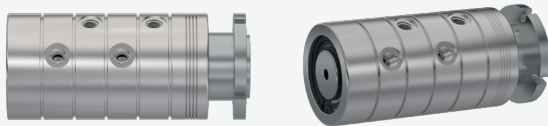
Max. Speed
250 RPM

Max. Pressure
250 BAR

Max. Temperature
80 °C

Connection Type
NPT, BSPP, BSPT

Rotor Size
2 x 1/4" - 12 x 3/4"

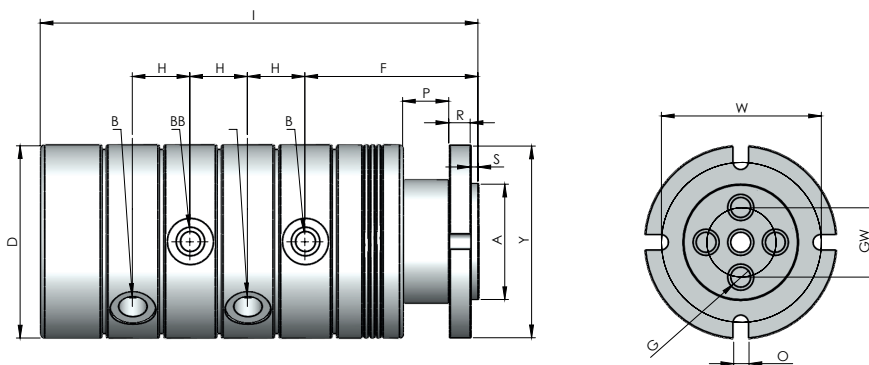


Multi-passage rotary unions

- ✓ Multi flow design
- ✓ Self supported sealing
- ✓ Dynamic carbon teflon sealing
- ✓ Special design sealing part for different fluids
- ✓ Flanged shaft
- ✓ Chrom plated sealing surface
- ✓ Stainless steel body
- ✓ For low-quality fluids
- ✓ Custom connections types are available

! Do not operate without fluid.

DIMENSIONS



SIZE	MODEL NO	B	Y Ø	A Ø	G Ø	D Ø	F	H	I	S	P	R	W	GW	O	KG
4 X 1/4"	M1-24081-200	1/4" NPT	81	45	7	80	71	23,40	184,30	3	20	7	70	20	6,50	5,85
4 X 1/4"	M1-24082-200	1/4" BSP	81	45	7	80	71	23,40	184,30	3	20	7	70	20	6,50	5,85
4 X 1/4"	M1-24083-200	1/4" BSPP	81	45	7	80	71	23,40	184,30	3	20	7	70	20	6,50	5,85
4 X 3/8"	M1-24101-200	3/8" NPT	98	50	10	98	87,20	30	227,50	5	20	12	76	24	8,50	11
4 X 3/8"	M1-24102-200	3/8" BSP	98	50	10	98	87,20	30	227,50	5	20	12	76	24	8,50	11
4 X 3/8"	M1-24103-200	3/8" BSPP	98	50	10	98	87,20	30	227,50	5	20	12	76	24	8,50	11
4 X 1/2"	M1-24151-200	1/2" NPT	125	75	13	125	112,50	37,40	284,60	5	30	14	104	45	10	22,25
4 X 1/2"	M1-24152-200	1/2" BSP	125	75	13	125	112,50	37,40	284,60	5	30	14	104	45	10	22,25
4 X 1/2"	M1-24153-200	1/2" BSPP	125	75	13	125	112,50	37,40	284,60	5	30	14	104	45	10	22,25
4 X 3/4"	M1-24201-200	3/4" NPT	135	85	18	135	117,50	43,40	310,60	5	35	12	110	46	11	27,80
4 X 3/4"	M1-24202-200	3/4" BSP	135	85	18	135	117,50	43,40	310,60	5	35	12	110	46	11	27,80
4 X 3/4"	M1-24203-200	3/4" BSPP	135	85	18	135	117,50	43,40	310,60	5	35	12	110	46	11	27,80

3 X 1"	M1-24251-200	1" NPT	164	100	22	164	152,50	50,40	376	7	55	16	138	55	13,50	45,30
3 X 1"	M1-24252-200	1" BSP	164	100	22	164	152,50	50,40	376	7	55	16	138	55	13,50	45,30
3 X 1"	M1-24253-200	1" BSPP	164	100	22	164	152,50	50,40	376	7	55	16	138	55	13,50	45,30
4 X 1 1/4"	M1-24321-200	1 1/4" NPT	230	150	28	230	167,10	65	447,50	7	55	20	180	85	13,50	121
4 X 1 1/4"	M1-24322-200	1 1/4" BSP	230	150	28	230	167,10	65	447,50	7	55	20	180	85	13,50	121
4 X 1 1/4"	M1-24323-200	1 1/4" BSPP	230	150	28	230	167,10	65	447,50	7	55	20	180	85	13,50	121