

Rotary Joint

9000R-T4 Series

Media Type
Steam

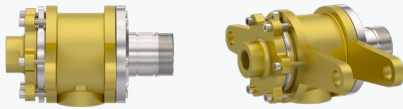
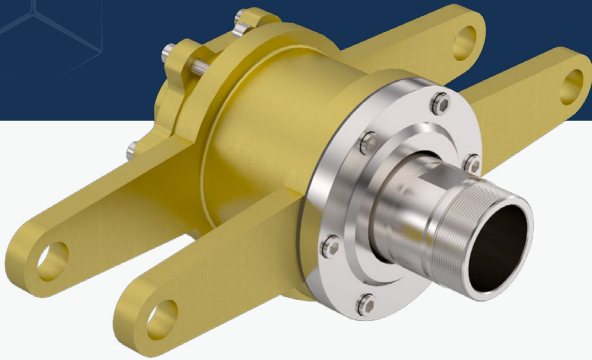
Max. Speed
200 - 100 RPM

Max. Pressure
30 - 20 BAR

Max. Temperature
260 - 280 °C

Connection Type
BSPT, SSR, FL

Rotor Size
3/4" DN20 - 5" DN125

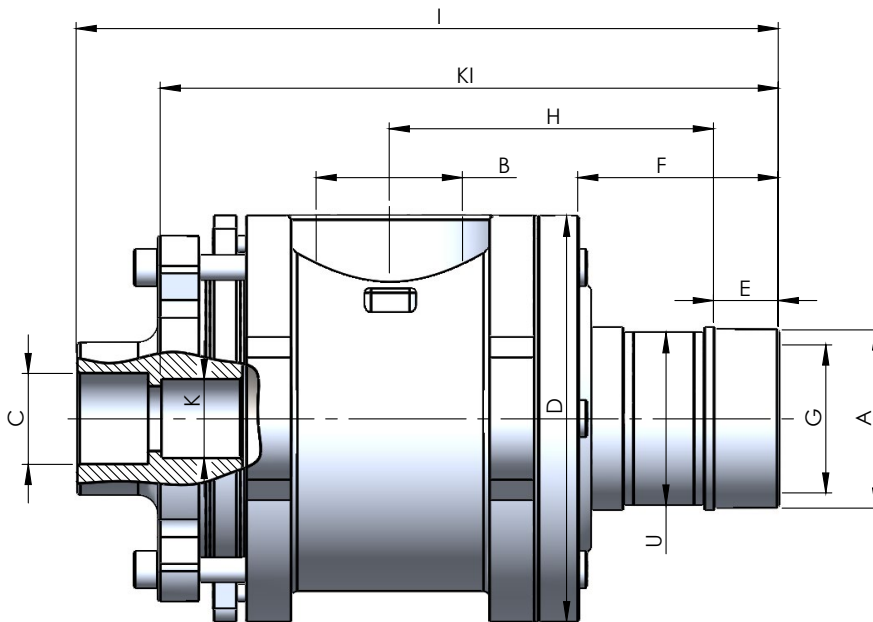


Rotary Joint for steam

- ✓ Duoflow design
- ✓ Nodular casting housing
- ✓ Stainless steel shaft and inner components
- ✓ Carbon Graphite sealing parts
- ✓ Stationary or rotating siphon system
- ✓ Threaded, Qr & flanged connection

⚠ Do not operate without fluid.

DIMENSIONS



SIZE	B	MODEL NO	A	C	DØ	I	E	F	K	KI	GØ	H	H2	W	N	OØ	U	L	S	T	KG
20	3/4" NPT	R9075-4107-0504-108	3/4" NPT - RH	1/2" NPT	87	164,50	20	45	1/8" - 1/4" BSPP	147	18	67		108		13	32				2,95
20	3/4" NPT	R9075-4107-0504-109	3/4" NPT - LH	1/2" NPT	87	164,50	20	45	1/8" - 1/4" BSPP	147	18	67		108		13	32				2,95
20	3/4" NPT	R9075-4107-0504-70	Ø30	1/2" NPT	87	164,50		45	1/8" - 1/4" BSPP	147	18	67		108		13		28	8	13	2,95
20	3/4" BSP	R9075-4207-0504-208	3/4" BSP - RH	1/2" BSP	87	164,50	20	45	1/8" - 1/4" BSPP	147	18	67		108		13	32				2,95
20	3/4" BSP	R9075-4207-0504-209	3/4" BSP - LH	1/2" BSP	87	164,50	20	45	1/8" - 1/4" BSPP	147	18	67		108		13	32				2,95
20	3/4" BSP	R9075-4207-0504-70	Ø30	1/2" BSP	87	164,50		45	1/8" - 1/4" BSPP	147	18	67		108		13		28	8	13	2,95
25	3/4" NPT	R9100-4107-0503-110	1" NPT - RH	1/2" NPT	108	207	22	79	1/4" - 3/8" BSPP	183	25	101,50		108 - 248		13	32				5,55
25	3/4" NPT	R9100-4107-0503-111	1" NPT - LH	1/2" NPT	108	207	22	79	1/4" - 3/8" BSPP	183	25	101,50		108 - 248		13	32				5,55
25	3/4" NPT	R9100-4107-0503-70	Ø35	1/2" NPT	108	207		79	1/4" - 3/8" BSPP	183	25	102,50		108 - 248		13		33	8	13	5,55
25	3/4" BSP	R9100-4207-0503-210	1" BSP - RH	1/2" BSP	108	207	22	79	1/4" - 3/8" BSPP	183	25	101,50		108 - 248		13	32				5,55
25	3/4" BSP	R9100-4207-0503-211	1" BSP - LH	1/2" BSP	108	207	22	79	1/4" - 3/8" BSPP	183	25	101,50		108 - 248		13	32				5,55
25	3/4" BSP	R9100-4207-0503-70	Ø35	1/2" BSP	108	207		79	1/4" - 3/8" BSPP	183	25	102,50		108 - 248		13		33	8	13	5,55
32	1" NPT	R9120-4110-0705-112	1 1/4" NPT - RH	3/4" NPT	116	212	25	65	3/8" - 1/2" BSPP	176	32	88,50		164 - 276		13	41				6,40
32	1" NPT	R9120-4110-0705-113	1 1/4" NPT - LH	3/4" NPT	116	212	25	65	3/8" - 1/2" BSPP	176	32	88,50		165 - 276		13	41				6,40
32	1" NPT	R9120-4110-0705-70	Ø47,50	3/4" NPT	116	212		65	3/8" - 1/2" BSPP	176	32	88,50		166 - 276		13		45	13	23	6,40
32	1" BSP	R9120-4210-0705-112	1 1/4" BSP - RH	3/4" BSP	116	212	25	65	3/8" - 1/2" BSPP	176	32	88,50		167 - 276		13	41				6,40
32	1" BSP	R9120-4210-0705-113	1 1/4" BSP - LH	3/4" BSP	116	212	25	65	3/8" - 1/2" BSPP	176	32	88,50		168 - 276		13	41				6,40
32	1" BSP	R9120-4210-0705-70	Ø47,50	3/4" BSP	116	212		65	3/8" - 1/2" BSPP	176	32	88,50		169 - 276		13		45	13	23	6,40
40	1 1/4" NPT	R9150-4112-1007-114	1 1/2" NPT - RH	1" NPT	152	242	27	75	1/2" - 3/4" BSPP	206	40	105,50		191 - 343		21	50				13,05
40	1 1/4" NPT	R9150-4112-1007-115	1 1/2" NPT - LH	1" NPT	152	242	27	75	1/2" - 3/4" BSPP	206	40	105,50		191 - 343		21	50				13,05
40	1 1/4" NPT	R9150-4112-1007-70	Ø50	1" NPT	152	242		75	1/2" - 3/4" BSPP	206	40	106,50		191 - 343		21		48	10	16	13,05

40	1 1/4" BSP	R9150-4212-1007-214	1 1/2" BSP - RH	1" BSP	152	242	27	75	1/2" - 3/4" BSPP	206	40	105,50		191 - 343	21	50				13,05
40	1 1/4" BSP	R9150-4212-1007-215	1 1/2" BSP - LH	1" BSP	152	242	27	75	1/2" - 3/4" BSPP	206	40	105,50		191 - 343	21	50				13,05
40	1 1/4" BSP	R9150-4212-1007-70	Ø50	1" BSP	152	242		75	1/2" - 3/4" BSPP	206	40	106,50		191 - 343	21		48	10	16	13,05
50	1 1/2" NPT	R9200-4115-1210-116	2" NPT - RH	1 1/4" NPT	162	270	30	75	1/2" - 1" BSPP	231	49	112		116 - 390	21	60				17,40
50	1 1/2" NPT	R9200-4115-1210-117	2" NPT - LH	1 1/4" NPT	162	270	30	75	1/2" - 1" BSPP	231	49	112		116 - 390	21	60				17,40
50	1 1/2" NPT	R9200-4115-1210-70	Ø65	1 1/4" NPT	162	270		75	1/2" - 1" BSPP	231	49	112		116 - 390	21		63	10	16	17,40
50	1 1/2" BSP	R9200-4215-1210-216	2" BSP - RH	1 1/4" BSP	162	270	30	75	1/2" - 1" BSPP	231	49	112		116 - 390	21	60				17,40
50	1 1/2" BSP	R9200-4215-1210-217	2" BSP - LH	1 1/4" BSP	162	270	30	75	1/2" - 1" BSPP	231	49	112		116 - 390	21	60				17,40
50	1 1/2" BSP	R9200-4215-1210-70	Ø65	1 1/4" BSP	162	270		75	1/2" - 1" BSPP	231	49	112		116 - 390	21		63	10	16	17,40
65	2" NPT	R9250-4125-1010-118	2 1/2" NPT - RH	1" NPT	185	308,50	38	95	3/4" - 1" BSPP	252	60,50	131		216 - 360	27	75				24,40
65	2" NPT	R9150-4125-1010-119	2 1/2" NPT - LH	1" NPT	185	308,50	38	95	3/4" - 1" BSPP	252	60,50	131		216 - 360	27	75				24,40
65	2" NPT	R9150-4125-1010-70	Ø76	1" NPT	185	308,50		95	3/4" - 1" BSPP	252	60,50	131		216 - 360	27		72	16	28	24,40
65	2" BSP	R9150-4225-1010-218	2 1/2" BSP - RH	1" BSP	185	308,50	38	95	3/4" - 1" BSPP	252	60,50	131		216 - 360	27	75				24,40
65	2" BSP	R9150-4225-1010-219	2 1/2" BSP - LH	1" BSP	185	308,50	38	95	3/4" - 1" BSPP	252	60,50	131		216 - 360	27	75				24,40
65	2" BSP	R9150-4225-1010-70	Ø76	1" BSP	185	308,50		95	3/4" - 1" BSPP	252	60,50	131		216 - 360	27		72	16	28	24,40
80	2 1/2" NPT	R9300-4125-1512-120	3" NPT - RH	1" - 1 1/2" NPT	200	346,50	32	99	3/4" - 1 1/2" BSPP	305	73	160		230 - 495	33	85				35,55
80	2 1/2" NPT	R9300-4125-1512-121	3" NPT - LH	1" - 1 1/2" NPT	200	346,50	32	99	3/4" - 1 1/2" BSPP	305	73	160		230 - 495	33	85				35,55
80	2 1/2" NPT	R9300-4125-1512-70	Ø87,30	1" - 1 1/2" NPT	200	346,50		99	3/4" - 1 1/2" BSPP	305	73	160		230 - 495	33		84	22	31	35,55
80	2 1/2" BSP	R9300-4225-1512-220	3" BSP - RH	1" - 1 1/2" BSP	200	346,50	32	99	3/4" - 1 1/2" BSPP	305	73	160		230 - 495	33	85				35,55
80	2 1/2" BSP	R9300-4225-1512-221	3" BSP - LH	1" - 1 1/2" BSP	200	346,50	32	99	3/4" - 1 1/2" BSPP	305	73	160		230 - 495	33	85				35,55
80	2 1/2" BSP	R9300-4225-1512-70	Ø87,30	1" - 1 1/2" BSP	200	346,50		99	3/4" - 1 1/2" BSPP	305	73	160		230 - 495	33		84	22	31	35,55
100	3" NPT	R9400-4130-2020-124	4" NPT - RH	1 1/4" - 2" NPT	257	453	40	161	1" - 2" BSPP	392	98	231		235 - 375	41	115				58,80

100	3" NPT	R9400-4130-2020-125	4" NPT - LH	1 1/4" - 2" NPT	257	453	40	161	1" - 2" BSPP	392	98	231		236 - 375		41	115				58,80
100	3" NPT	R9400-4130-2020-70	Ø114	1 1/4" - 2" NPT	257	453		161	1" - 2" BSPP	392	98	231		237 - 375		41		110	12	22	57,60
100	3" BSP	R9400-4230-2020-224	4" BSP - RH	1 1/4" - 2" BSP	257	453	40	161	1" - 2" BSPP	392	98	231		238 - 375		41	115				58,80
100	3" BSP	R9400-4230-2020-225	4" BSP - LH	1 1/4" - 2" BSP	257	453	40	161	1" - 2" BSPP	392	98	231		239 - 375		41	115				58,80
100	3" BSP	R9400-4230-2020-70	Ø114	1 1/4" - 2" BSP	257	453		161	1" - 2" BSPP	392	98	231		240 - 375		41		110	12	22	57,60
125	4" NPT	R9500-4140-3025-126	5" NPT - RH	2" - 3" NPT	330	486	40	150	1 1/4" - 2 1/2" BSPP	421	122	235,50		400 - 457		54	145				105,20
125	4" NPT	R9500-4140-3025-127	5" NPT - LH	2" - 3" NPT	330	486	40	150	1 1/4" - 2 1/2" BSPP	421	122	235,50		400 - 457		54	145				105,20
125	4" NPT	R9500-4140-3025-70	Ø150	2" - 3" NPT	330	486		150	1 1/4" - 2 1/2" BSPP	421	122	235,50		400 - 457		54		145	35	39	105,90
125	4" BSP	R9500-4240-3025-226	5" BSP - RH	2" - 3" BSP	330	486	40	150	1 1/4" - 2 1/2" BSPP	421	122	235,50		400 - 457		54	145				105,20
125	4" BSP	R9500-4240-3025-227	5" BSP - LH	2" - 3" BSP	330	486	40	150	1 1/4" - 2 1/2" BSPP	421	122	235,50		400 - 457		54	145				105,20
125	4" BSP	R9500-4240-3025-70	Ø150	2" - 3" BSP	330	486		150	1 1/4" - 2 1/2" BSPP	421	122	235,50		400 - 457		54		145	35	39	105,90