

# Multiports M2-C8

Media Type  
**Hydraulic Oil, Air - Vacuum**

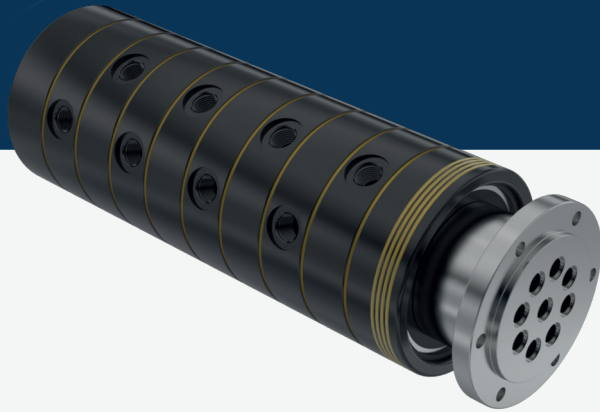
Max. Speed  
**250 RPM**

Max. Pressure  
**250 BAR**

Max. Temperature  
**80 °C**

Connection Type  
**NPT, BSPP, BSPT**

Rotor Size  
**2 x 1/4" - 12 x 3/4"**

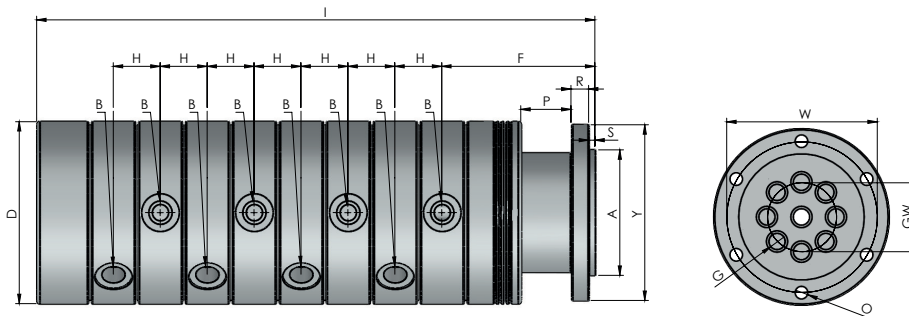


- ✓ Multi flow design
- ✓ Self supported sealing
- ✓ Dynamic carbon teflon sealing
- ✓ Special design sealing part for different fluids
- ✓ Flanged shaft
- ✓ Chrom plated sealing surface
- ✓ Carbon steel body
- ✓ Anti corrosion plated body
- ✓ Custom connections types are available

Multi-passage rotary unions.

**!** Do not operate without fluid.

## DIMENSIONS



SIZE	MODEL NO	B	Y Ø	A Ø	G Ø	D Ø	F	H	I	S	P	R	W	GW	O	KG
8 X 1/4"	M2-18081-200	1/4" NPT	108	70	7	108	95	25,40	321,50	3	35	8	70	38	9	17,60
8 X 1/4"	M2-18082-200	1/4" BSP	108	70	7	108	95	25,40	321,50	3	35	8	70	38	9	17,60
8 X 1/4"	M2-18083-200	1/4" BSPP	108	70	7	108	95	25,40	321,50	3	35	8	70	38	9	17,60
8 X 3/8"	M2-18101-200	3/8" NPT	125	90	10	125	93,50	30	357,50	5	22	12	106	45	9	27,10
8 X 3/8"	M2-18102-200	3/8" BSP	125	90	10	125	93,50	30	357,50	5	22	12	106	45	9	27,10
8 X 3/8"	M2-18103-200	3/8" BSPP	125	90	10	125	93,50	30	357,50	5	22	12	106	45	9	27,10
8 X 1/2"	M2-18151-200	1/2" NPT	140	100	13	145	122	37,40	445	5	40	14	120	55	10	44,35
8 X 1/2"	M2-18152-200	1/2" BSP	140	100	13	145	122	37,40	445	5	40	14	120	55	10	44,35
8 X 1/2"	M2-18153-200	1/2" BSPP	140	100	13	145	122	37,40	445	5	40	14	120	55	10	44,35
8 X 3/4"	M2-18201-200	3/4" NPT	225	165	18	225	151	43,40	521	5	58	13	200	80	11	125,20
8 X 3/4"	M2-18202-200	3/4" BSP	225	165	18	225	151	43,40	521	5	58	13	200	80	11	125,20
8 X 3/4"	M2-18203-200	3/4" BSPP	225	165	18	225	151	43,40	521	5	58	13	200	80	11	125,20
8 X 1"	M2-18251-200	1" NPT	229	140	22	229	153,40	50,40	575,50	10	55	20	200	90	13,50	142,35

8 X 1"	M2-18252-200	1" BSP	229	140	22	229	153,40	50,40	575,50	10	55	20	200	90	13,50	142,35
8 X 1"	M2-18253-200	1" BSPP	229	140	22	229	153,40	50,40	575,50	10	55	20	200	90	13,50	142,35
8 X 1 1/4"	M2-18321-200	1 1/4" NPT	310	230	28	310	175	65	721	10	55	20	273	130	17,50	342,80
8 X 1 1/4"	M2-18322-200	1 1/4" BSP	310	230	28	310	175	65	721	10	55	20	273	130	17,50	342,80
8 X 1 1/4"	M2-18323-200	1 1/4" BSPP	310	230	28	310	175	65	721	10	55	20	273	130	17,50	342,80