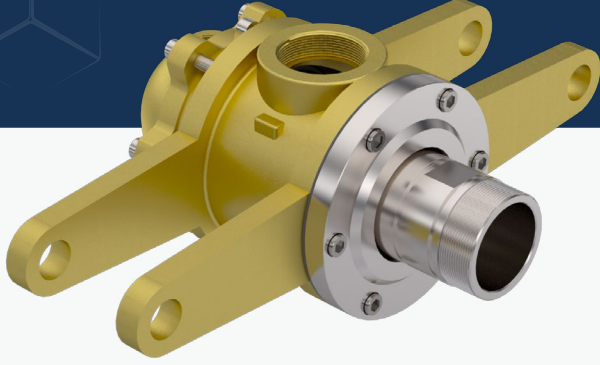


Rotary Joint

# 9000R-T2 Serisi



Buhar için sızdırmazlık başlığı

🚰 Akışkan Tipi  
**Buhar**

🌀 Maks. Hız  
**200 - 100 RPM**

📏 Maks. Basınç  
**30 - 20 BAR**

🌡️ Maks. Sıcaklık  
**260 - 280 °C**

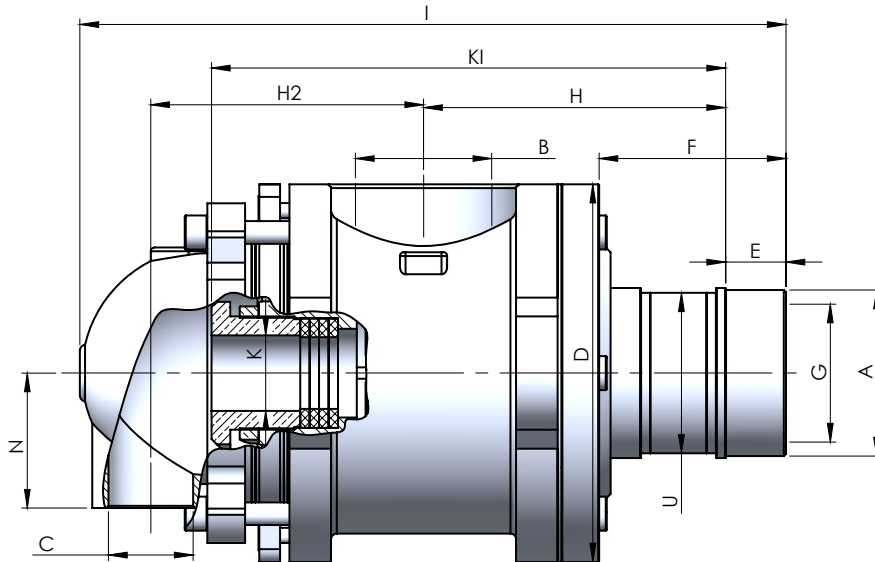
🔗 Bağlantı Tipi  
**BSPT, SSR, FL,**

🌀 Rotor Ölçüsü  
**3/4" DN20 - 5" DN125**

- ✓ RSP Sistem
- ✓ Çift hat geçişi
- ✓ İç destekli sızdırmazlık ve yataklama
- ✓ Paslanmaz çelik şaft ve iç aksam
- ✓ Sfero döküm yüksek kalite gövde
- ✓ Karbon grafit (Reçineli, Antimuanlı) konik sızdırmazlıklar
- ✓ Geniş ölçü, bağlantı ve dış tipi olanağı

⚠️ Akışkan olmadan çalıştırmayın.

## ÖLÇÜLER



BOYUT	B	MODEL NO	A	C	DØ	I	E	F	KØ	KI	GØ	H	H2	W	N	OØ	U	L	S	T	KG
20	3/4" NPT	R9075-2107-0504-108	3/4" NPT - RH	1/2" NPT	87	174,50	20	45	6 - 10	139	18	67	71,50	108	29,50	13	32				3
20	3/4" NPT	R9075-2107-0504-109	3/4" NPT - LH	1/2" NPT	87	174,50	20	45	6 - 10	139	18	67	71,50	108	29,50	13	32				3
20	3/4" NPT	R9075-2107-0504-70	Ø30	1/2" NPT	87	174,50		45	6 - 10	139	18	67	71,50	108	29,50	13		28	8	13	3
20	3/4" BSP	R9075-2207-0504-208	3/4" BSP - RH	1/2" BSP	87	174,50	20	45	6 - 10	139	18	67	71,50	108	29,50	13	32				3
20	3/4" BSP	R9075-2207-0504-209	3/4" BSP - LH	1/2" BSP	87	174,50	20	45	6 - 10	139	18	67	71,50	108	29,50	13	32				3
20	3/4" BSP	R9075-2207-0504-70	Ø30	1/2" BSP	87	174,50		45	6 - 10	139	18	67	71,50	108	29,50	13		28	8	13	3
25	3/4" NPT	R9100-2107-0503-110	1" NPT - RH	1/2" NPT	108	219	22	79	15 - 25	179,60	25	101,50	76,50	108 - 248	37	13	32				5,65
25	3/4" NPT	R9100-2107-0503-111	1" NPT - LH	1/2" NPT	108	219	22	79	15 - 25	179,60	25	101,50	76,50	108 - 248	37	13	32				5,65
25	3/4" NPT	R9100-2107-0503-70	Ø35	1/2" NPT	108	219		79	15 - 25	179,60	25	102,50	76,50	108 - 248	37	13		33	8	13	5,65
25	3/4" BSP	R9100-2207-0503-210	1" BSP - RH	1/2" BSP	108	219	22	79	15 - 25	179,60	25	101,50	76,50	108 - 248	37	13	32				5,65
25	3/4" BSP	R9100-2207-0503-211	1" BSP - LH	1/2" BSP	108	219	22	79	15 - 25	179,60	25	101,50	76,50	108 - 248	37	13	32				5,65
25	3/4" BSP	R9100-2207-0503-70	Ø35	1/2" BSP	108	219		79	15 - 25	179,60	25	102,50	76,50	108 - 248	37	13		33	8	13	5,65
32	1" NPT	R9120-2110-1005-112	1 1/4" NPT - RH	3/4" NPT	116	218,00	25	65	3/8" - 1/2"	181	32	88,50	83,50	164 - 276	41	13	41				6,75
32	1" NPT	R9120-2110-1005-113	1 1/4" NPT - LH	3/4" NPT	116	218,00	25	65	3/8" - 1/2"	181	32	88,50	83,50	165 - 276	41	13	41				6,75
32	1" NPT	R9120-2110-1005-70	Ø47,50	3/4" NPT	116	218,00		65	3/8" - 1/2"	181	32	88,50	83,50	166 - 276	41	13		45	13	23	6,75
32	1" BSP	R9120-2210-1005-112	1 1/4" BSP - RH	3/4" BSP	116	218,00	25	65	3/8" - 1/2"	181	32	88,50	83,50	167 - 276	41	13	41				6,75
32	1" BSP	R9120-2210-1005-113	1 1/4" BSP - LH	3/4" BSP	116	218,00	25	65	3/8" - 1/2"	181	32	88,50	83,50	168 - 276	41	13	41				6,75
32	1" BSP	R9120-2210-1005-70	Ø47,50	3/4" BSP	116	218,00		65	3/8" - 1/2"	181	32	88,50	83,50	169 - 276	41	13		45	13	23	6,75
40	1 1/4" NPT	R9150-2112-1007-114	1 1/2" NPT - RH	3/4" - 1" NPT	152	259,50	27	75	1/2" - 3/4"	208	40	105,50	98,50	191 - 343	55	21	50				13,15
40	1 1/4" NPT	R9150-2112-1007-115	1 1/2" NPT - LH	3/4" - 1" NPT	152	259,50	27	75	1/2" - 3/4"	208	40	105,50	98,50	191 - 343	55	21	50				13,15
40	1 1/4" NPT	R9150-2112-1007-70	Ø50	3/4" - 1" NPT	152	259,50		75	1/2" - 3/4"	208	40	106,50	98,50	191 - 343	55	21		18	10	16	13,15
40	1 1/4" BSP	R9150-2212-1007-214	1 1/2" BSP - RH	3/4" - 1" BSP	152	259,50	27	75	1/2" - 3/4"	208	40	105,50	98,50	191 - 343	55	21	50				13,15
40	1 1/4" BSP	R9150-2212-1007-215	1 1/2" BSP - LH	3/4" - 1" BSP	152	259,50	27	75	1/2" - 3/4"	208	40	105,50	98,50	191 - 343	55	21	50				13,15

40	1 1/4" BSP	R9150-2212-1007-70	Ø50	3/4" - 1" BSP	152	259,50		75	1/2" - 3/4"	208	40	106,50	98,50	191 - 343	55	21		48	10	16	13,15
50	1 1/2" NPT	R9200-2115-1210-116	1 1/2" NPT - RH	3/4" - 1 1/4" NPT	162	287,50	30	75	15 - 25	232,50	49	112	114	116 - 390	56	21	60				17,70
50	1 1/2" NPT	R9200-2115-1210-117	1 1/2" NPT - LH	3/4" - 1 1/4" NPT	162	287,50	30	75	15 - 25	232,50	49	112	114	116 - 390	56	21	60				17,70
50	1 1/2" NPT	R9200-2115-1210-70	Ø65	3/4" - 1 1/4" NPT	162	287,50		75	15 - 25	232,50	49	112	114	116 - 390	56	21		65	10	16	17,70
50	1 1/2" BSP	R9200-2115-1210-216	1 1/2" BSP - RH	3/4" - 1 1/4" BSP	162	287,50	30	75	15 - 25	232,50	49	112	114	116 - 390	56	21	60				17,70
50	1 1/2" BSP	R9200-2115-1210-217	1 1/2" BSP - LH	3/4" - 1 1/4" BSP	162	287,50	30	75	15 - 25	232,50	49	112	114	116 - 390	56	21	60				17,70
50	1 1/2" BSP	R9200-2115-1210-70	Ø65	3/4" - 1 1/4" BSP	162	287,50		75	15 - 25	232,50	49	112	114	116 - 390	56	21		65	10	16	17,70
65	2" NPT	R9250-2125-1220-118	2 1/2" NPT - RH	1" - 1 1/4" NPT	185	331	38	95	25 - 40	266,5	60,50	131	128,50	216 - 360	62,50	27	75				25,40
65	2" NPT	R9250-2125-1220-119	2 1/2" NPT - LH	1" - 1 1/4" NPT	185	331	38	95	25 - 40	266,5	60,50	131	128,50	216 - 360	62,50	27	75				25,40
65	2" NPT	R9250-2125-1220-70	Ø76	1" - 1 1/4" NPT	185	331		95	25 - 40	266,5	60,50	131	128,50	216 - 360	62,50	27		72	16	28	25,40
65	2" BSP	R9250-2225-1220-218	2 1/2" BSP - RH	1" - 1 1/4" BSP	185	331	38	95	25 - 40	266,5	60,50	131	128,50	216 - 360	62,50	27	75				25,40
65	2" BSP	R9250-2225-1220-219	2 1/2" BSP - LH	1" - 1 1/4" BSP	185	331	38	95	25 - 40	266,5	60,50	131	128,50	216 - 360	62,50	27	75				25,40
65	2" BSP	R9250-2225-1220-70	Ø76	1" - 1 1/4" BSP	185	331		95	25 - 40	266,5	60,50	131	128,50	216 - 360	62,50	27		72	16	28	25,40
80	2 1/2" NPT	R9300-2115-1515-120	3" NPT - RH	1 1/4" - 1 1/2" NPT	200	374	32	99	20 - 40	304	73	160	144,50	230 - 495	71,50	33	85				36,30
80	2 1/2" NPT	R9300-2115-1515-121	3" NPT - LH	1 1/4" - 1 1/2" NPT	200	374	32	99	20 - 40	304	73	160	144,50	230 - 495	71,50	33	85				36,30
80	2 1/2" NPT	R9300-2115-1515-70	Ø87,30	1 1/4" - 1 1/2" NPT	200	374		99	20 - 40	304	73	160	144,50	230 - 495	71,50	33		84	22	31	36,30
80	2 1/2" BSP	R9300-2115-1515-220	3" BSP - RH	1 1/4" - 1 1/2" BSP	200	374	32	99	20 - 40	304	73	160	144,50	230 - 495	71,50	33	85				36,30
80	2 1/2" BSP	R9300-2115-1515-221	3" BSP - LH	1 1/4" - 1 1/2" BSP	200	374	32	99	20 - 40	304	73	160	144,50	230 - 495	71,50	33	85				36,30
80	2 1/2" BSP	R9300-2115-1515-70	Ø87,30	1 1/4" - 1 1/2" BSP	200	374		99	20 - 40	304	73	160	144,50	230 - 495	71,50	33		84	22	31	36,30
85	3" NPT	R9350-2130-2015-122	3 1/2" NPT - RH	1 1/4" - 1 1/2" NPT	247	422	35	100	20 - 40	326	85	170	160	150 - 250	85	33	100				48,90
85	3" NPT	R9350-2130-2015-123	3 1/2" NPT - LH	1 1/4" - 1 1/2" NPT	247	422	35	100	20 - 40	326	85	170	160	150 - 250	85	33	100				48,90
85	3" NPT	R9350-2130-2015-70	Ø105	1 1/4" - 1 1/2" NPT	247	422		100	20 - 40	326	85	170	160	150 - 250	85	33		102	12	20	48,90

85	3" BSP	R9350-2230-2015-222	3 1/2" BSP - RH	1 1/4" - 1 1/2" BSP	247	422	35	100	20 - 40	326	85	170	160	150 - 250	85	33	100				48,90
85	3" BSP	R9350-2230-2015-223	3 1/2" BSP - LH	1 1/4" - 1 1/2" BSP	247	422	35	100	20 - 40	326	85	170	160	150 - 250	85	33	100				48,90
85	3" BSP	R9350-2230-2015-70	Ø105	1 1/4" - 1 1/2" BSP	247	422		100	20 - 40	326	85	170	160	150 - 250	85	33		102	12	20	48,90
100	3" NPT	R9400-2130-2520-124	4" NPT - RH	1 1/4" - 2" NPT	257	498	40	161	38 - 50	413	98	231	177	235 - 375	90	41	115				63,40
100	3" NPT	R9400-2130-2520-125	4" NPT - LH	1 1/4" - 2" NPT	257	498	40	161	38 - 50	413	98	231	177	236 - 375	90	41	115				63,40
100	3" NPT	R9400-2130-2520-70	Ø114	1 1/4" - 2" NPT	257	498		161	38 - 50	413	98	231	177	237 - 375	90	41		110	12	22	62,10
100	3" BSP	R9400-2230-2520-227	4" BSP - RH	1 1/4" - 2" BSP	257	498	40	161	38 - 50	413	98	231	177	238 - 375	90	41	115				63,40
100	3" BSP	R9400-2230-2520-228	4" BSP - LH	1 1/4" - 2" BSP	257	498	40	161	38 - 50	413	98	231	177	239 - 375	90	41	115				63,40
100	3" BSP	R9400-2230-2520-70	Ø114	1 1/4" - 2" BSP	257	498		161	38 - 50	413	98	231	177	240 - 375	90	41		110	12	22	62,10
125	4" NPT	R9500-2140-3025-126	5" NPT - RH	2" - 3" NPT	330	563,50	40	150	50 - 60,50	422	122	235,50	225,50	400 - 457	127,50	54	145				115,55
125	4" NPT	R9500-2140-3025-127	5" NPT - LH	2" - 3" NPT	330	563,50	40	150	50 - 60,50	422	122	235,50	225,50	400 - 457	127,50	54	145				115,55
125	4" NPT	R9500-2140-3025-70	Ø150	2" - 3" NPT	330	563,50		150	50 - 60,50	422	122	235,50	225,50	400 - 457	127,50	54		145	35	39	116,25
125	4" BSP	R9500-2240-3025-226	5" BSP - RH	2" - 3" BSP	330	563,50	40	150	50 - 60,50	422	122	235,50	225,50	400 - 457	127,50	54	145				115,55
125	4" BSP	R9500-2240-3025-227	5" BSP - LH	2" - 3" BSP	330	563,50	40	150	50 - 60,50	422	122	235,50	225,50	400 - 457	127,50	54	145				115,55
125	4" BSP	R9500-2240-3025-70	Ø150	2" - 3" BSP	330	563,50		150	50 - 60,50	422	122	235,50	225,50	400 - 457	127,50	54		145	35	39	116,25