

Rotary Joint

9000R-T1 Serisi

🚰 Akışkan Tipi
Buhar

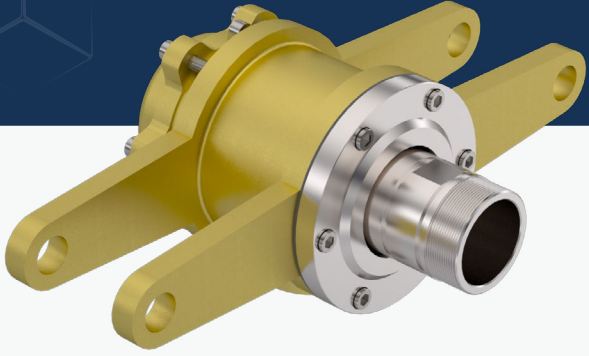
🌀 Maks. Hız
200 - 100 RPM

📏 Maks. Basınç
30 - 20 BAR

🌡️ Maks. Sıcaklık
260 - 280 °C

🔌 Bağlantı Tipi
BSPT, SSR, FL,

🌀 Rotor Ölçüsü
3/4" DN20 - 5" DN125

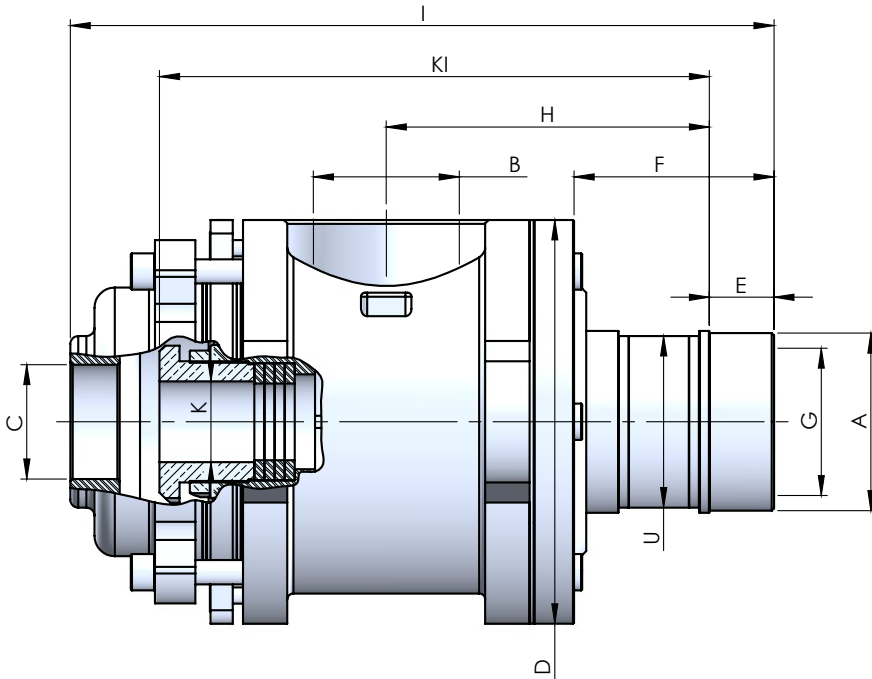


Buhar için sızdırmazlık başlığı

- ✓ RSP Sistem
- ✓ Çift hat geçişi
- ✓ İç destekli sızdırmazlık ve yataklama
- ✓ Paslanmaz çelik şaft ve iç aksam
- ✓ Sfero döküm yüksek kalite gövde
- ✓ Karbon grafit (Reçineli, Antimuanlı) konik sızdırmazlıklar
- ✓ Geniş ölçü, bağlantı ve dış tipi olanağı

⚠️ Akışkan olmadan çalıştırmayın.

ÖLÇÜLER



BOYUT	B	MODEL NO	A	C	DØ	I	E	F	KØ	KI	GØ	H	H2	W	N	OØ	U	L	S	T	KG
20	3/4" NPT	R9075-1107-0504-108	3/4" NPT - RH	1/2" NPT	87	159,50	20	45	6 - 10	139	18	67		108		13	32				3
20	3/4" NPT	R9075-1107-0504-109	3/4" NPT - LH	1/2" NPT	87	159,50	20	45	6 - 10	139	18	67		108		13	32				3
20	3/4" NPT	R9075-1107-0504-70	Ø30	1/2" NPT	87	159,50		45	6 - 10	139	18	67		108		13		28	8	13	3
20	3/4" BSP	R9075-1207-0504-208	3/4" BSP - RH	1/2" BSP	87	159,50	20	45	6 - 10	139	18	67		108		13	32				3
20	3/4" BSP	R9075-1207-0504-209	3/4" BSP - LH	1/2" BSP	87	159,50	20	45	6 - 10	139	18	67		108		13	32				3
20	3/4" BSP	R9075-1207-0504-70	Ø30	1/2" BSP	87	159,50		45	6 - 10	139	18	67		108		13		28	8	13	3
25	3/4" NPT	R9100-1107-0303-110	1" NPT - RH	3/4" NPT	108	206,50	22	79	8. - 10	179,60	25	101,50		108 - 248		13	32				5,60
25	3/4" NPT	R9100-1107-0303-111	1" NPT - LH	3/4" NPT	108	206,50	22	79	8. - 10	179,60	25	101,50		108 - 248		13	32				5,60
25	3/4" NPT	R9100-1107-0303-70	Ø35	3/4" NPT	108	206,50		79	8. - 10	179,60	25	102,50		108 - 248		13		33	8	13	5,60
25	3/4" BSP	R9100-1207-0303-210	1" BSP - RH	3/4" BSP	108	206,50	22	79	8. - 10	179,60	25	101,50		108 - 248		13	32				5,60
25	3/4" BSP	R9100-1207-0303-211	1" BSP - LH	3/4" BSP	108	206,50	22	79	8. - 10	179,60	25	101,50		108 - 248		13	32				5,60
25	3/4" BSP	R9100-1207-0303-70	Ø35	3/4" BSP	108	206,50		79	8. - 10	179,60	25	102,50		108 - 248		13		33	8	13	5,60
32	1" NPT	R9120-1110-1005-112	1 1/4" NPT - RH	1" NPT	116	208,00	25	65	10. - 15	181	32	88,50		164 - 276		13	41				6,75
32	1" NPT	R9120-1110-1005-113	1 1/4" NPT - LH	1" NPT	116	208,00	25	65	10. - 15	181	32	88,50		165 - 276		13	41				6,75
32	1" NPT	R9120-1110-1005-70	Ø47,50	1" NPT	116	208,00		65	10. - 15	181	32	88,50		166 - 276		13		45	13	23	6,75
32	1" BSP	R9120-1210-1005-112	1 1/4" BSP - RH	1" BSP	116	208,00	25	65	10. - 15	181	32	88,50		167 - 276		13	41				6,75
32	1" BSP	R9120-1210-1005-113	1 1/4" BSP - LH	1" BSP	116	208,00	25	65	10. - 15	181	32	88,50		168 - 276		13	41				6,75
32	1" BSP	R9120-1210-1005-70	Ø47,50	1" BSP	116	208,00		65	10. - 15	181	32	88,50		169 - 276		13		45	13	23	6,75
40	1 1/4" NPT	R9150-1112-1007-114	1 1/2" NPT - RH	3/4" - 1" NPT	152	241	27	75	15 - 20	208	40	105,50		191 - 343		21	50				13
40	1 1/4" NPT	R9150-1112-1007-115	1 1/2" NPT - LH	3/4" - 1" NPT	152	241	27	75	15 - 20	208	40	105,50		191 - 343		21	50				13
40	1 1/4" NPT	R9150-1112-1007-70	Ø50	3/4" - 1" NPT	152	241		75	15 - 20	208	40	106,50		191 - 343		21		18	10	16	13
40	1 1/4" BSP	R9150-1212-1007-214	1 1/2" BSP - RH	3/4" - 1" BSP	152	241	27	75	15 - 20	208	40	105,50		191 - 343		21	50				13
40	1 1/4" BSP	R9150-1212-1007-215	1 1/2" BSP - LH	3/4" - 1" BSP	152	241	27	75	15 - 20	208	40	105,50		191 - 343		21	50				13

40	1 1/4" BSP	R9150-1212-1007-70	Ø50	3/4" - 1" BSP	152	241		75	15 - 20	208	40	106,50		191 - 343		21		48	10	16	13
50	1 1/2" NPT	R9200-1115-1210-116	2" NPT - RH	3/4" - 1 1/4" NPT	162	269,00	30	75	15 - 25	232,50	49	112		116 - 390		21	60				17,65
50	1 1/2" NPT	R9200-1115-1210-117	2" NPT - LH	3/4" - 1 1/4" NPT	162	269,00	30	75	15 - 25	232,50	49	112		116 - 390		21	60				17,65
50	1 1/2" NPT	R9200-1115-1210-70	Ø65	3/4" - 1 1/4" NPT	162	269,00		75	15 - 25	232,50	49	112		116 - 390		21		65	10	16	17,65
50	1 1/2" BSP	R9200-1215-1210-216	2" BSP - RH	3/4" - 1 1/4" BSP	162	269,00	30	75	15 - 25	232,50	49	112		116 - 390		21	60				17,65
50	1 1/2" BSP	R9200-1215-1210-217	2" BSP - LH	3/4" - 1 1/4" BSP	162	269,00	30	75	15 - 25	232,50	49	112		116 - 390		21	60				17,65
50	1 1/2" BSP	R9200-1215-1210-70	Ø65	3/4" - 1 1/4" BSP	162	269,00		75	15 - 25	232,50	49	112		116 - 390		21		65	10	16	17,65
65	2" NPT	R9250-1125-1520-118	2 1/2" NPT - RH	1 1/4" - 1 1/2" NPT	185	310,50	38	95	25 - 40	266,50	60,50	131		216 - 360		27	75				25,25
65	2" NPT	R9250-1125-1520-119	2 1/2" NPT - LH	1 1/4" - 1 1/2" NPT	185	310,50	38	95	25 - 40	266,50	60,50	131		216 - 360		27	75				25,25
65	2" NPT	R9250-1125-1520-70	Ø76	1 1/4" - 1 1/2" NPT	185	310,50		95	25 - 40	266,50	60,50	131		216 - 360		27		72	16	28	25,25
65	2" BSP	R9250-1225-1520-218	2 1/2" BSP - RH	1 1/4" - 1 1/2" BSP	185	310,50	38	95	25 - 40	266,50	60,50	131		216 - 360		27	75				25,25
65	2" BSP	R9250-1225-1520-219	2 1/2" BSP - LH	1 1/4" - 1 1/2" BSP	185	310,50	38	95	25 - 40	266,50	60,50	131		216 - 360		27	75				25,25
65	2" BSP	R9250-1225-1520-70	Ø76	1 1/4" - 1 1/2" BSP	185	310,50		95	25 - 40	266,50	60,50	131		216 - 360		27		72	16	28	25,25
80	2" NPT	R9300-1115-1210-120	3" NPT - RH	1" - 2" NPT	200	348,,50	32	99	15 - 40	272	73	160		230 - 495		33	85				36,05
80	2" NPT	R9300-1115-1210-121	3" NPT - LH	1" - 2" NPT	200	348,,50	32	99	15 - 40	272	73	160		230 - 495		33	85				36,05
80	2" NPT	R9300-1115-1210-70	Ø87,30	1" - 2" NPT	200	348,,50		99	15 - 40	272	73	160		230 - 495		33		84	22	31	36,05
80	2" BSP	R9300-1215-1210-220	3" BSP - RH	1" - 2" BSP	200	348,,50	32	99	15 - 40	272	73	160		230 - 495		33	85				36,05
80	2" BSP	R9300-1215-1210-221	3" BSP - LH	1" - 2" BSP	200	348,,50	32	99	15 - 40	272	73	160		230 - 495		33	85				36,05
80	2" BSP	R9300-1215-1210-70	Ø87,30	1" - 2" BSP	200	348,,50		99	15 - 40	272	73	160		230 - 495		33		84	22	31	36,05
85	3" NPT	R9350-1130-2015-122	3 1/2" NPT - RH	1 1/4" - 1 1/2" NPT	247	377	35	100	20 - 40	326	85	170		150 - 250		33	100				47,80
85	3" NPT	R9350-1130-2015-123	3 1/2" NPT - LH	1 1/4" - 1 1/2" NPT	247	377	35	100	20 - 40	326	85	170		150 - 250		33	100				47,80
85	3" NPT	R9350-1130-2015-70	Ø105	1 1/4" - 1 1/2" NPT	247	377		100	20 - 40	326	85	170		150 - 250		33		102	12	20	47,80

85	3" BSP	R9350-1230-2015-222	3 1/2" BSP - RH	1 1/4" - 1 1/2" BSP	247	377	35	100	20 - 40	326	85	170		150 - 250		33	100				47,80
85	3" BSP	R9350-1230-2015-223	3 1/2" BSP - LH	1 1/4" - 1 1/2" BSP	247	377	35	100	20 - 40	326	85	170		150 - 250		33	100				47,80
85	3" BSP	R9350-1230-2015-70	Ø105	1 1/4" - 1 1/2" BSP	247	377		100	20 - 40	326	85	170		150 - 250		33		102	12	20	47,80
100	3" NPT	R9400-1130-2520-124	4" NPT - RH	1 1/4" - 2" NPT	257	503	40	161	38 - 50	413	98	231		235 - 375		41	115				64,80
100	3" NPT	R9400-1130-2520-125	4" NPT - LH	1 1/4" - 2" NPT	257	503	40	161	38 - 50	413	98	231		236 - 375		41	115				64,80
100	3" NPT	R9400-1130-2520-70	Ø114	1 1/4" - 2" NPT	257	503		161	38 - 50	413	98	231		237 - 375		41		110	12	22	63,40
100	3" BSP	R9400-1230-2520-227	4" BSP - RH	1 1/4" - 2" BSP	257	503	40	161	38 - 50	413	98	231		238 - 375		41	115				64,80
100	3" BSP	R9400-1230-2520-228	4" BSP - LH	1 1/4" - 2" BSP	257	503	40	161	38 - 50	413	98	231		239 - 375		41	115				64,80
100	3" BSP	R9400-1230-2520-70	Ø114	1 1/4" - 2" BSP	257	503		161	38 - 50	413	98	231		240 - 375		41		110	12	22	63,40
125	4" NPT	R9500-1140-3025-126	5" NPT - RH	2" - 3" NPT	330	527	40	150	50 - 60,50	422	122	235,50		400 - 457		54	145				112
125	4" NPT	R9500-1140-3025-127	5" NPT - LH	2" - 3" NPT	330	527	40	150	50 - 60,50	422	122	235,50		400 - 457		54	145				112
125	4" NPT	R9500-1140-3025-70	Ø150	2" - 3" NPT	330	527		150	50 - 60,50	422	122	235,50		400 - 457		54		145	35	39	112,70
125	4" BSP	R9500-1240-3025-226	5" BSP - RH	2" - 3" BSP	330	527	40	150	50 - 60,50	422	122	235,50		400 - 457		54	145				112
125	4" BSP	R9500-1240-3025-227	5" BSP - LH	2" - 3" BSP	330	527	40	150	50 - 60,50	422	122	235,50		400 - 457		54	145				112
125	4" BSP	R9500-1240-3025-70	Ø150	2" - 3" BSP	330	527		150	50 - 60,50	422	122	235,50		400 - 457		54		145	35	39	112,70