

Swivel Joint

E6-SAE3000 Series

Media Type
**Hydraulic Oil,
Water + General Purpose**

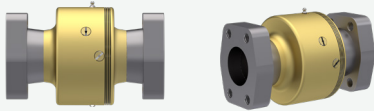
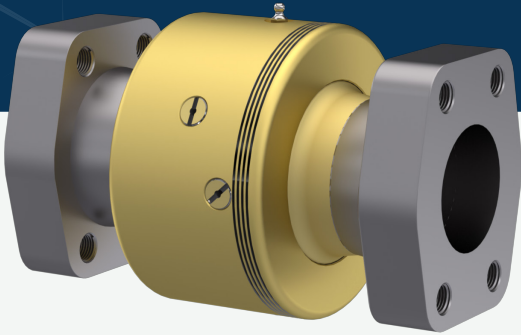
Max. Speed
20 RPM

Max. Pressure
206 BAR

Max. Temperature
120 °C

Connection Type
Flanged

Rotor Size
1/2" DN15 - 5" DN125

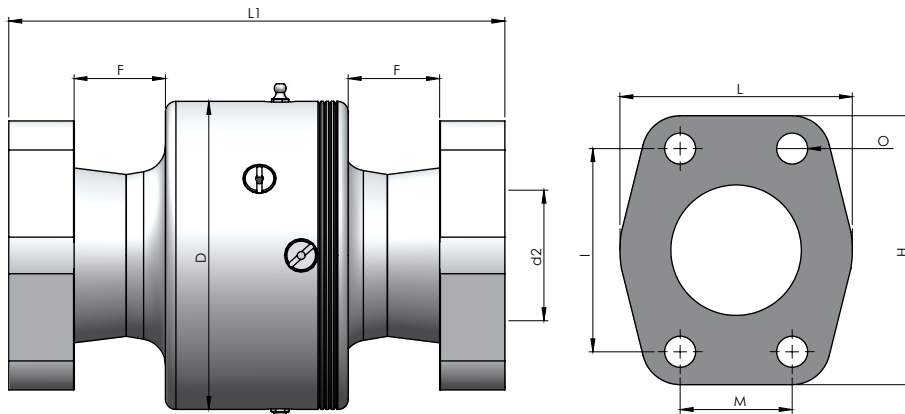


Swivel Joint for water, hydraulic oil and chemical fluids

- ✓ Single flow design,
- ✓ Carbon steel material
- ✓ Hardened inner sealing surface
- ✓ Special design sealing components
- ✓ Easy changable repair parts
- ✓ SAE 3000-6000 flanged

! Do not operate without fluid.

DIMENSIONS



SIZE	MODEL NO	DØ	L1	F	d2Ø	H	L	M	I	O	KG
15	E6 - SAE3000-015	50	140	32,5	13	57	47	17,50	38,00	M8	1,20
20	E6 - SAE3000-020	72	147	31	19	66	49	22,20	47,60	M10	2,30
25	E6 - SAE3000-025	78	152	33	25	71	53	26,20	52,40	M10	2,70
32	E6 - SAE3000-032	88	187	35	31	80	69	30,20	58,70	M10	4,75
40	E6 - SAE3000-040	100	193	34	38	94	77	35,70	69,85	M12	6,25
50	E6 - SAE3000-050	118	190	35	50	103	89	42,90	77,80	M12	7,65
65	E6 - SAE3000-065	133	210	42,5	63	115	101	50,80	89,00	M12	10,00
80	E6 - SAE3000-080	139	211	40,5	73	135	124	62,00	106,40	M16	12,00
100	E6 - SAE3000-100	175	210	40,5	99	162	146	77,80	130,00	M16	17,25
125	E6 - SAE3000-125	199	240	43	120	184	180	92,00	152,40	M16	25,40