

Multiports

M2-SR12

Media Type
Hydraulic Oil, Air - Vacuum

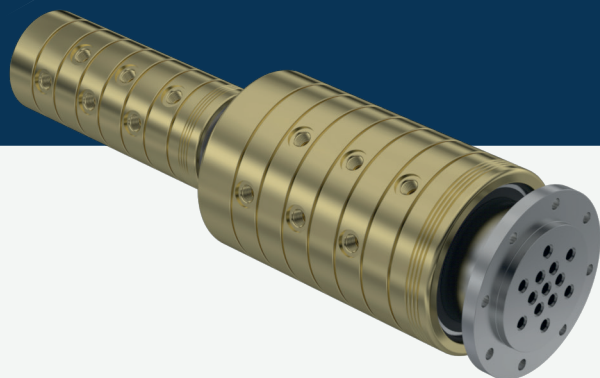
Max. Speed
250 RPM

Max. Pressure
250 BAR

Max. Temperature
80 °C

Connection Type
NPT, BSPP, BSPT

Rotor Size
2 x 1/4" - 12 x 3/4"

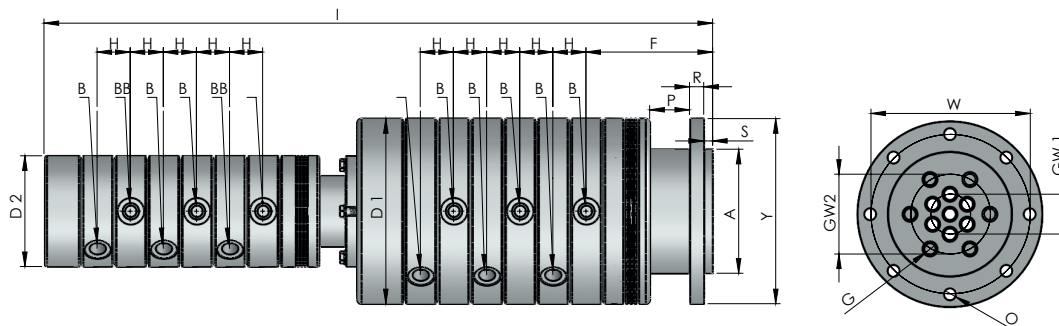


- ✓ Multi flow design
- ✓ Self supported design
- ✓ Dynamic carbon teflon sealing
- ✓ Special design sealing part for different fluids
- ✓ Flanged shaft
- ✓ Chrom plated sealing surface
- ✓ For low-quality fluids
- ✓ Custom connections types are available

Multi-passage rotary unions.

! Do not operate without fluid.

DIMENSIONS



SIZE	MODEL NO	B	Y Ø	A Ø	G Ø	D Ø	F	H	I	S	P	R	W	GW	O	KG
12 X 1/4"	M2-412081-200	1/4" NPT	180	120	7	180 / 108	121,50	25,40	577	7	42	12	160	38 / 70	9	67
12 X 1/4"	M2-412082-200	1/4" BSP	180	120	7	180 / 108	121,50	25,40	577	7	42	12	160	38 / 70	9	67
12 X 1/4"	M2-412083-200	1/4" BSPP	180	120	7	180 / 108	121,50	25,40	577	7	42	12	160	38 / 70	9	67
12 X 3/8"	M2-412101-200	3/8" NPT	196	125	10	179 / 108	124	30	622	10	40	15	165	36 / 70	11	73,30
12 X 3/8"	M2-412102-200	3/8" BSP	196	125	10	179 / 108	124	30	622	10	40	15	165	36 / 70	11	73,30
12 X 3/8"	M2-412103-200	3/8" BSPP	196	125	10	179 / 108	124	30	622	10	40	15	165	36 / 70	11	73,30
12 X 1/2"	M2-412151-200	1/2" NPT	209	140	13	209 / 125	143	37,40	755	10	45	16	170	45 / 90	13	118,50
12 X 1/2"	M2-412152-200	1/2" BSP	209	140	13	209 / 125	143	37,40	755	10	45	16	170	45 / 90	13	118,50
12 X 1/2"	M2-412153-200	1/2" BSPP	209	140	13	209 / 125	143	37,40	755	10	45	16	170	45 / 90	13	118,50