

Swivel Joint

# E9-D90D90 Series

Media Type  
**Hydraulic Oil,  
Water + General Purpose**

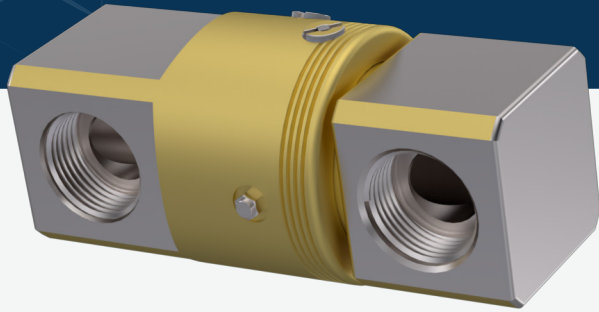
Max. Speed  
**20 RPM**

Max. Pressure  
**300 BAR**

Max. Temperature  
**120 °C**

Connection Type  
**BSP, BSPP, NPT, Metric**

Rotor Size  
**1/4" DN08 - 1 1/2" DN40**

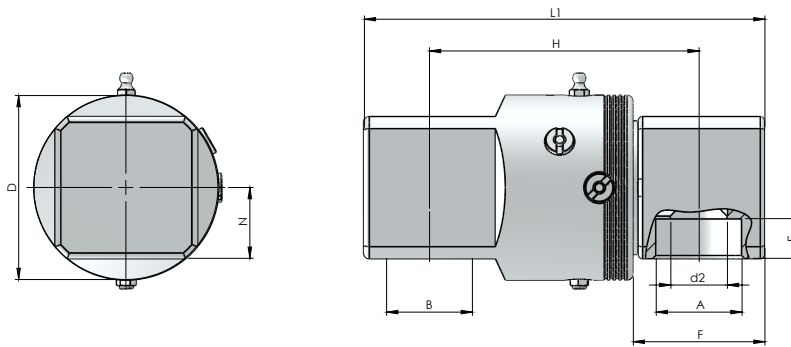


Swivel Joint for water, hydraulic oil, gress and chemical fluids

- ✓ Single flow design,
- ✓ Carbon steel material
- ✓ Hardened inner sealing surface
- ✓ Special design sealing components
- ✓ Easy changable repair parts
- ✓ BSP, BSPP, NPT, UNF, Metric threads...

Do not operate without fluid.

## DIMENSIONS



SIZE	MODEL NO	A	DØ	L1	E	F	d2Ø	H	N	KG
1/4" BSP	E9 - D90D90-008	1/4" BSP	40	93	9,70	27	7	67	20	0,71
3/8" BSP	E9 - D90D90-010	3/8" BSP	40	93	9,70	27	9	67	20	0,71
1/2" BSP	E9 - D90D90-015	1/2" BSP	50	113	13,20	35	12	81,50	20	1,20
3/4" BSP	E9 - D90D90-020	3/4" BSP	60	131	14,50	42	14	92	24	2
1" BSP	E9 - D90D90-025	1" BSP	65	141,50	14	25	20	95,25	25	2,48
1 1/4" BSP	E9 - D90D90-032	1 1/4" BSP	75	185	17	57	25	127	31	4,63
1 1/2" BSP	E9 - D90D90-040	1 1/2" BSP	80	198	16	67,50	32	132	35	5,67