

Multiports M5-A4

Media Type
Air - Vacuum

Max. Speed
250 RPM

Max. Pressure
10 BAR

Max. Temperature
80 °C

Connection Type
NPT, BSPP, BSPT

Rotor Size
2 x 1/4" - 16 x 3/8"

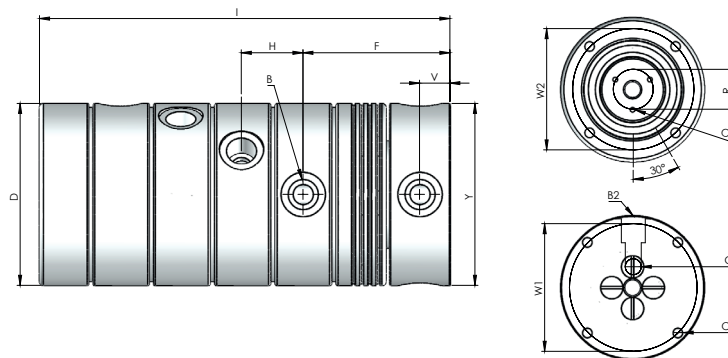


- ✓ Multi flow design
- ✓ Self supported design
- ✓ Dynamic carbon teflon sealing
- ✓ Special design sealing part for different fluids
- ✓ BSP, NPT metric threads inlet's & outlet's
- ✓ Chrom plated sealing surface
- ✓ Aluminium body
- ✓ Custom connections types are available

Multi-passage rotary unions.

! Do not operate without fluid.

DIMENSIONS



SIZE	MODEL NO	B	YØ	B2	DØ	F	H	I	V	GØ	W1Ø	W2Ø	RØ	O1	O2	KG
4 X 1/4"	M5-34081-200	1/4" NPT	75	1/4" NPT	75	56,20	23,70	134,50	10	7	70	61	18	M6X20	M3X10	2,65
4 X 1/4"	M5-34082-200	1/4" BSP	75	1/4" BSP	75	56,20	23,70	134,50	10	7	70	61	18	M6X20	M3X10	2,65
4 X 1/4"	M5-34083-200	1/4" BSPP	75	1/4" BSPP	75	56,20	23,70	134,50	10	7	70	61	18	M6X20	M3X10	2,65
4 X 3/8"	M5-34101-200	3/8" NPT	90	3/8" NPT	90	72,70	30	203	15	10	70	80	25	M6X20	M3X10	5,35
4 X 3/8"	M5-34102-200	3/8" BSP	90	3/8" BSP	90	72,70	30	203	15	10	70	80	25	M6X20	M3X10	5,35
4 X 3/8"	M5-34103-200	3/8" BSPP	90	3/8" BSPP	90	72,70	30	203	15	10	70	80	25	M6X20	M3X10	5,35